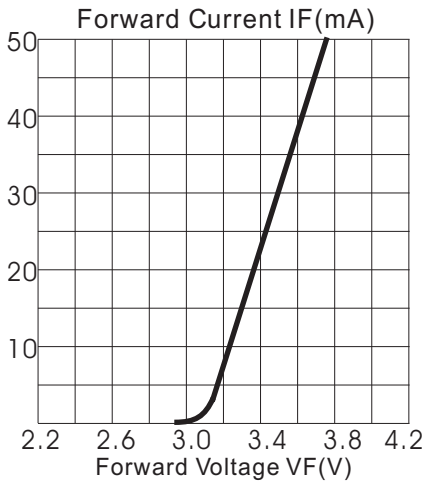
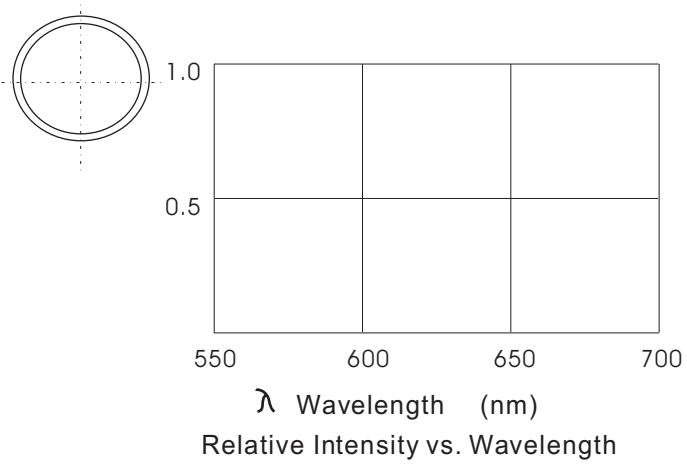
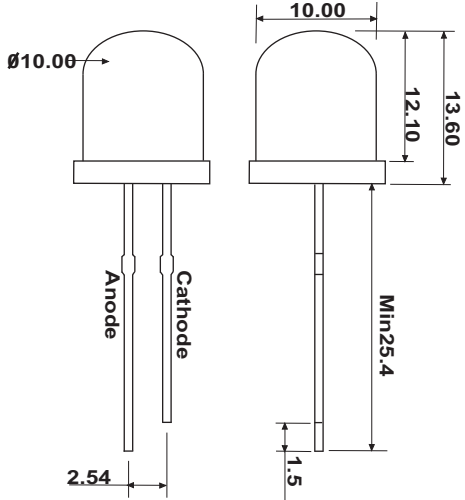
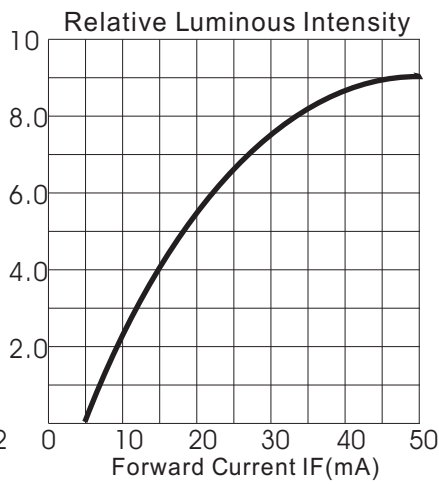


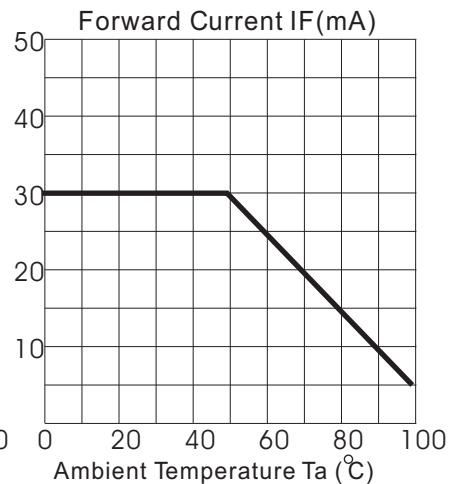
KTL1000WHD1



Forward Current VS Forward Voltage.



Relative Luminous Intensity VS. Forward Current



Ambient Temperature T_a (°C)

Absolute Maximum Ratings at $T_a = 25^\circ\text{C}$

Parameter	Symbol	Condition	Min.	Typ.	Max.	Unit
Forward Voltage	V_f	$I_f=20\text{mA}$	3.0		4.0	V
Reverse Voltage	V_r	$I_f=20\text{mA}$	5.0		5.0	V
Luminous Intensity	I_v	$I_f=20\text{mA}$		5.2		cd
Wavelength	$D\lambda$	$I_f=20\text{mA}$				nm
LENS Color	White Color					

LED working lifetime 100,000 hrs

