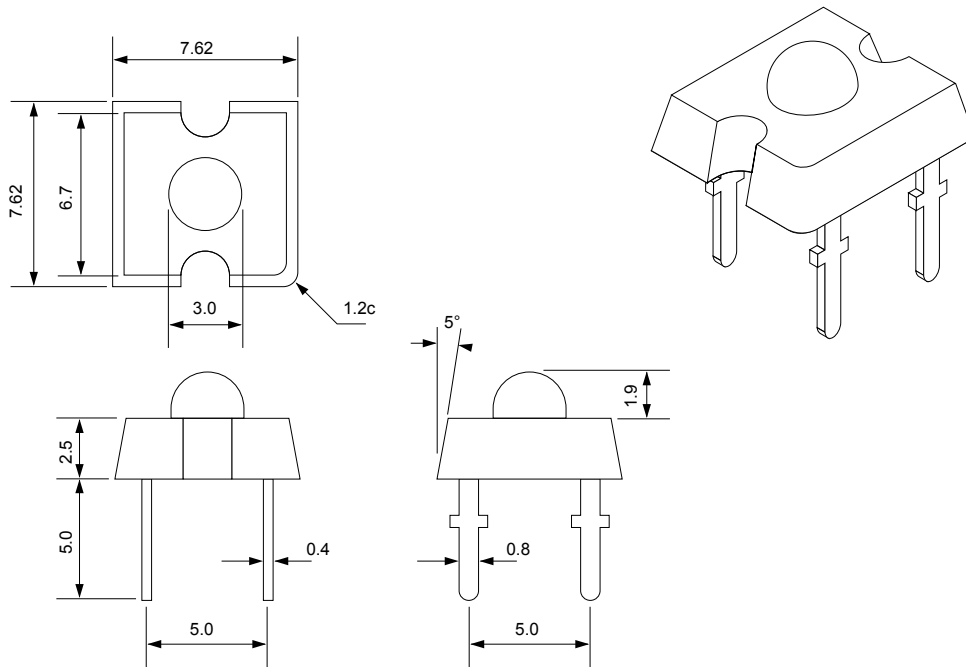


KTL76 IC-S



Unit: mm

- * Yellow Dice.
- * Encapsulated with Water Clear Package.

Absolute Maximum Ratings.

Parameter	Maximum Rating	Unit
Peak Forward Current	70	mA
Power dissipation	217	mW
Operating Temperature Range	-40°C to +85°C	
Storage Temperature Range	-55°C to +85°C	
Lead Soldering Temperature	260°C for 5 seconds	

Electro-Optical Characterate (Ta=25°C)

Parameter Radiant	Test Condition	Symbol	Min.	Typ.	Max.	Unit
Forward Voltage	If=70mA	Vf	2.6	2.9	3.1	V
Reverse Current	Vr=5V	Ir			10	uA
Luminous Intensity	If=70mA	Iv	1.5	5		cd
Spectral Bandwidth	If=70mA	$\Delta\lambda$		20		nm
Wavelength	If=70mA	λ_p		590		nm
		λ_d		589		nm
Half View Angle	If=70mA	2 Θ 1/2		30		deg