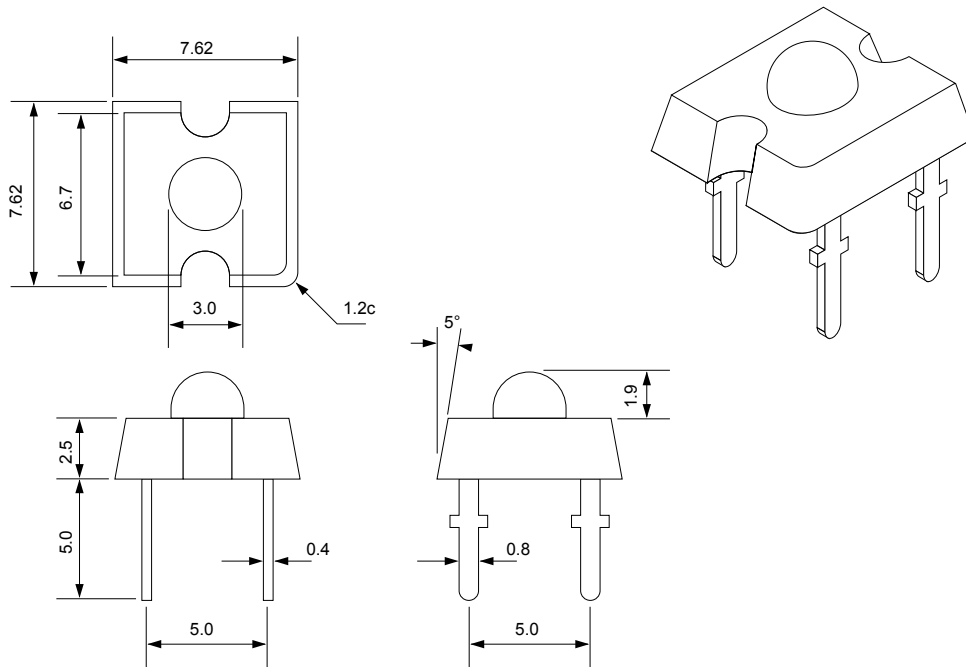


### KTL76PGC-U



Unit: mm

- \* Super Bright Pure Green Dice.
- \* Encapsulated with Water Clear Package.

#### Absolute Maximum Ratings.

Parameter	Maximum Rating	Unit
Peak Forward Current	120	mA
Continuous Forward Current	30	mA
Operating Temperature Range	-20°C to +85°C	
Storage Temperature Range	-20°C to +85°C	
Lead Soldering Temperature	260°C for 3 seconds	

#### Electro-Optical Characterate (Ta=25°C)

Parameter Radiant	Test Condition	Symbol	Min.	Typ.	Max.	Unit
Forward Voltage	If=20mA	Vf		3.4	3.8	V
Reverse Current	Vr=5V	Ir		< 1	20	uA
Luminous Intensity	If=20mA	Iv	3000	4500		mcd
Spectral Bandwidth	If=20mA	$\Delta\lambda$				nm
Wavelength	If=20mA	$\lambda_p$	520	525		nm
		$\lambda_d$				nm
Half View Angle	If=20mA	2 $\Theta$ 1/2		40		deg