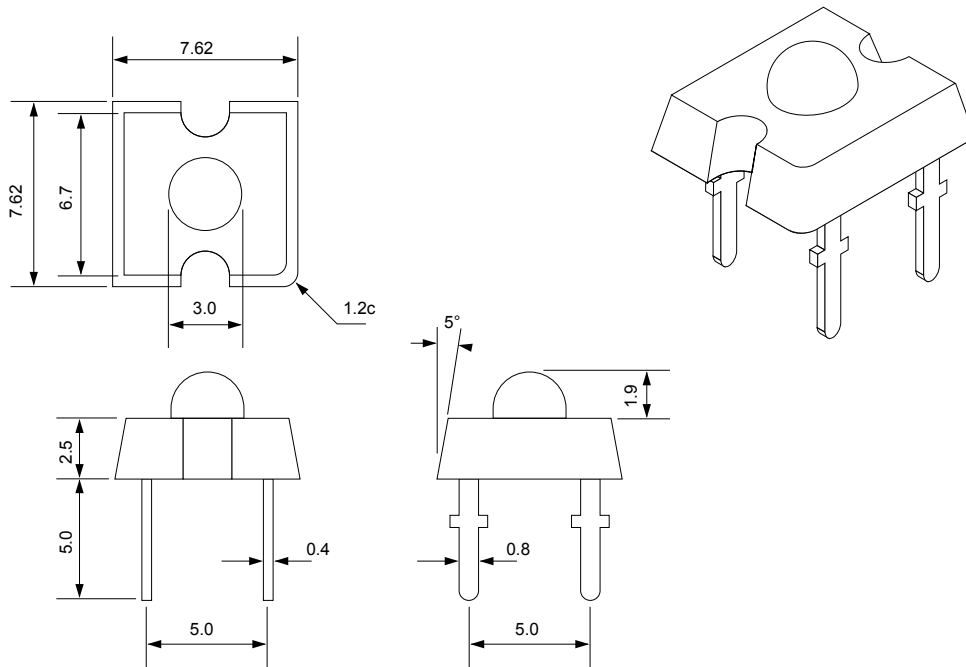


### KTL76WC



Unit: mm

- \* 4-PINS with Blue Dice.
- \* Encapsulated with Water Clear Package.
- \* Long leads.

#### Absolute Maximum Ratings.

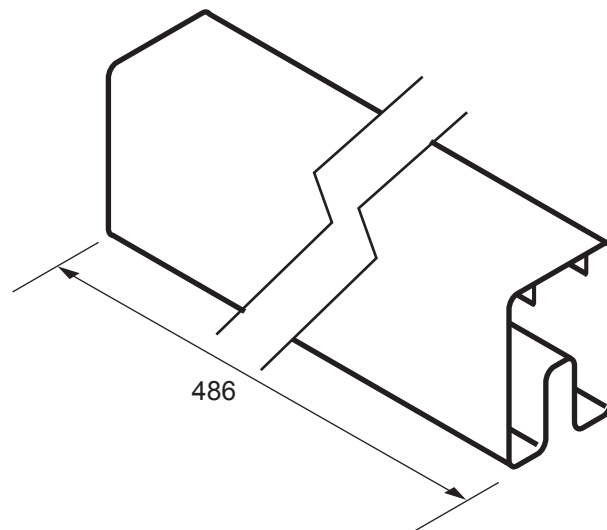
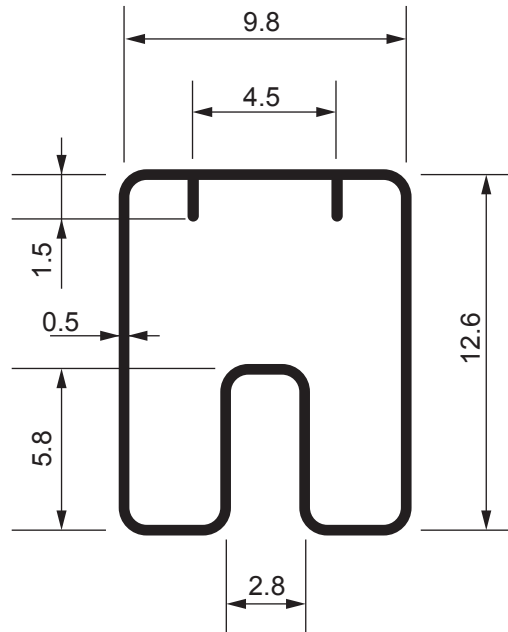
Parameter	Maximum Rating	Unit
Peak Forward Current	200	mA
Continuous Forward Current	30	mA
Operating Temperature Range	-20°C to +85°C	
Storage Temperature Range	-20°C to +85°C	
Lead Soldering Temperature	260°C for 3 seconds	

#### Electro-Optical Characterate (Ta=25°C)

Parameter Radiant	Test Condition	Symbol	Min.	Typ.	Max.	Unit
Forward Voltage	If=20mA	Vf	2.8	3.4	3.8	V
Reverse Current	Vr=5V	Ir		< 1	20	uA
Luminous Intensity	If=20mA	Iv	4000	6500		mcd
Spectral Bandwidth	If=20mA	Δλ				nm
Wavelength	If=20mA	λp				nm
		λd				nm
Half View Angle	If=20mA	2Θ 1/2		40		deg

# KOUHI

## KTL76 Package



Notes: All dimensions are in millimeters.  
One package tube enter 60 pcs.