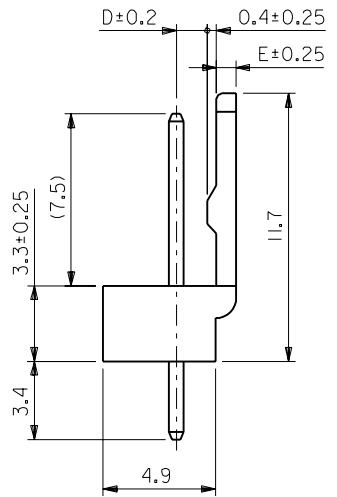
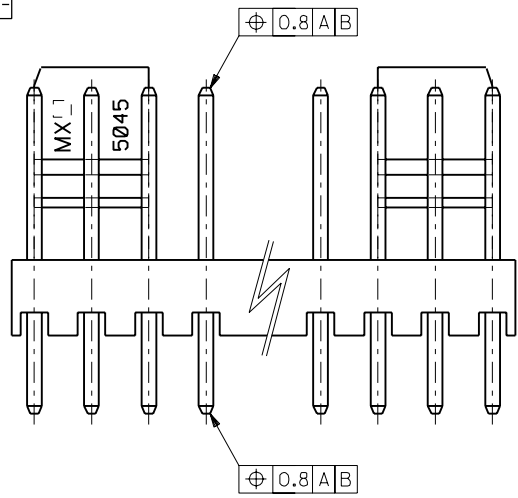


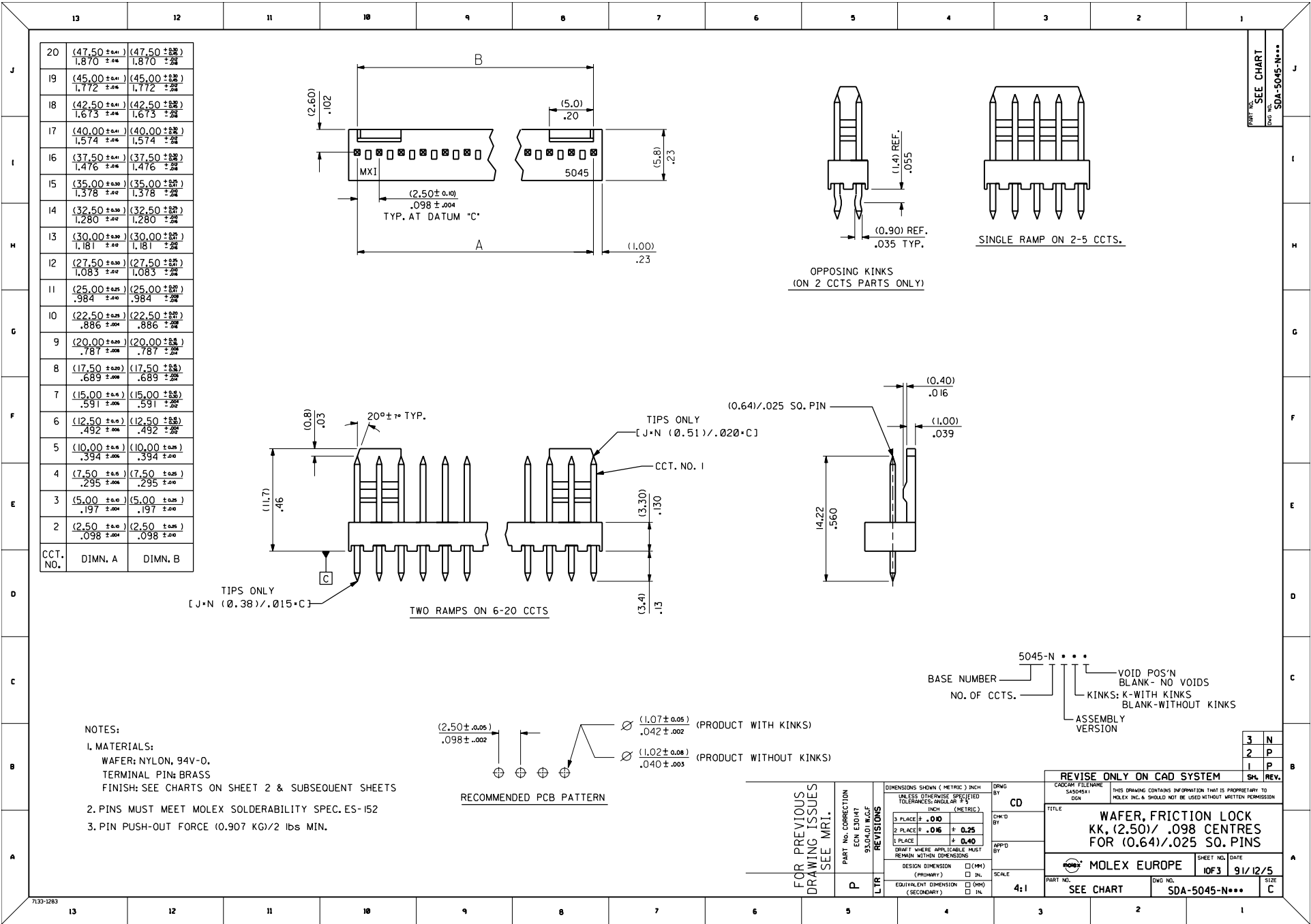
注) NOTE.

1. 材料 MATERIAL
 ピン : □0.635x14.2 黄銅、銅下地錫メッキ
 PIN: 0.635x14.2 BRASS TIN OVER COPPER PLATING.
 ウェハー : ナイロン66, UL 94V-0
 WAFER: NYLON66, UL94V-0
2. 6極以上に適用
 TO BE APPLIED FOR 6 CKT. AND MORE THEN 6 CKT.
3. 5極以下はロック部スリットなし
 NO SLIT IS PROVIDED FOR 5 CKT. AND LESS THAN 5 CKT.



1.35	0.85	47.5 ^{+0.3} _{-0.45}	47.5	22-04-1201	5045-20A	20
↑	↑	45 ^{+0.3} _{-0.45}	45	↑	↑	↑
		42.5 ^{+0.3} _{-0.45}	42.5	-1191	-19A	19
		40 ^{+0.3} _{-0.45}	40	-1181	-18A	18
		37.5 ^{+0.3} _{-0.45}	37.5	-1171	-17A	17
		35 ^{+0.3} _{-0.45}	35	-1161	-16A	16
		32.5 ^{+0.3} _{-0.45}	32.5	-1151	-15A	15
		30 ^{+0.3} _{-0.45}	30	-1141	-14A	14
		27.5 ^{+0.3} _{-0.45}	27.5	-1131	-13A	13
		25 ^{+0.3} _{-0.45}	25	-1121	-12A	12
		22.5 ^{+0.3} _{-0.45}	22.5	-1111	-11A	11
		20 ^{+0.3} _{-0.45}	20	-1101	-10A	10
		17.5 ^{+0.3} _{-0.45}	17.5	-1091	-09A	9
		15 ^{+0.3} _{-0.45}	15	-1081	-08A	8
		12.5 ^{+0.3} _{-0.45}	12.5	-1071	-07A	7
		10 ^{+0.3} _{-0.45}	10	-1061	-06A	6
		7.5 ^{+0.3} _{-0.45}	7.5	-1051	-05A	5
1.35	0.85	5 ^{+0.3} _{-0.45}	5	-1041	-04A	4
↓	↓	2.5 ^{+0.3} _{-0.45}	2.5	↓	↓	↓
				-1031	-03A	3
1.2	1					2
D	E	C	B	EDP.NO.	ENG.NO.	極数

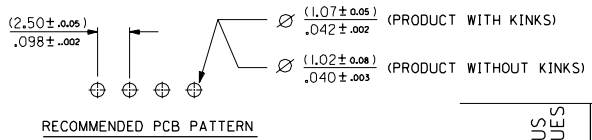
図4NO. DRWN: CHK: APPR:	図3NO. DRWN: CHK: APPR:	図2NO. DRWN: CHK: APPR:	図1NO. DRWN: CHK: APPR:	REDRAWN 図0NO. JC2000-0629 DRWN: K.KOHAMA CHK: T.YAMAGUCHI APPR: M.FUKUSHIMA	MATERIAL 材料 注記参照 SEE NOTES	GENERAL TOLERANCES: (UNLESS SPECIFIED) 一般公差	SCALE 5:1	DESIGN UNITS <input checked="" type="checkbox"/> mm <input type="checkbox"/> INCH	<input checked="" type="checkbox"/> 2ND ANGLE PROJECTION	DIMENSIONS: <input type="checkbox"/> mm <input type="checkbox"/> INCH <input checked="" type="checkbox"/> mm ONLY	SHT 1	REV 1
					FINISH 仕上り //	10 UNDER 未満 10 OVER 以上 30 UNDER 未満 30 OVER 以上	DRAWN BY & DATE K.KOHAMA 007/3/28 CHECKED BY & DATE T.YAMAGUCHI 007/3/30 APPROVED BY & DATE M.FUKUSHIMA 007/3/30	TITLE: KK 2.5 WAFER ASS'Y WITH LOCK	MOLEX INCORPORATED	SHEET NO. 1		
WIRE RANGE 適用線径範囲 //	ANGLE 角度 +3°	CAD FILENAME S5045.S01	MATERIAL NO. 5045-***A	DRAWING NO. SD-5045-NA	SHEET NO. 1							
INS. RANGE 板厚外径 //	THIS DRAWING CONTAINS INFORMATION THAT IS PROPRIETARY TO MOLEX INCORPORATED AND SHOULD NOT BE USED WITHOUT WRITTEN PERMISSION.				SIZE B							



PART NO. SEE CHART
 DIM. NO. SDA-5045-N***

20	(47.50 ± 0.01) 1.870 ± 0.00	(47.50 ± 0.01) 1.870 ± 0.00
19	(45.00 ± 0.01) 1.772 ± 0.00	(45.00 ± 0.01) 1.772 ± 0.00
18	(42.50 ± 0.01) 1.673 ± 0.00	(42.50 ± 0.01) 1.673 ± 0.00
17	(40.00 ± 0.01) 1.574 ± 0.00	(40.00 ± 0.01) 1.574 ± 0.00
16	(37.50 ± 0.01) 1.476 ± 0.00	(37.50 ± 0.01) 1.476 ± 0.00
15	(35.00 ± 0.01) 1.378 ± 0.00	(35.00 ± 0.01) 1.378 ± 0.00
14	(32.50 ± 0.01) 1.280 ± 0.00	(32.50 ± 0.01) 1.280 ± 0.00
13	(30.00 ± 0.01) 1.181 ± 0.00	(30.00 ± 0.01) 1.181 ± 0.00
12	(27.50 ± 0.01) 1.083 ± 0.00	(27.50 ± 0.01) 1.083 ± 0.00
11	(25.00 ± 0.01) .984 ± 0.00	(25.00 ± 0.01) .984 ± 0.00
10	(22.50 ± 0.01) .886 ± 0.00	(22.50 ± 0.01) .886 ± 0.00
9	(20.00 ± 0.01) .787 ± 0.00	(20.00 ± 0.01) .787 ± 0.00
8	(17.50 ± 0.01) .689 ± 0.00	(17.50 ± 0.01) .689 ± 0.00
7	(15.00 ± 0.01) .591 ± 0.00	(15.00 ± 0.01) .591 ± 0.00
6	(12.50 ± 0.01) .492 ± 0.00	(12.50 ± 0.01) .492 ± 0.00
5	(10.00 ± 0.01) .394 ± 0.00	(10.00 ± 0.01) .394 ± 0.00
4	(7.50 ± 0.01) .295 ± 0.00	(7.50 ± 0.01) .295 ± 0.00
3	(5.00 ± 0.01) .197 ± 0.00	(5.00 ± 0.01) .197 ± 0.00
2	(2.50 ± 0.01) .098 ± 0.00	(2.50 ± 0.01) .098 ± 0.00
CCT. NO.	DIMN. A	DIMN. B

NOTES:
 1. MATERIALS:
 WAFER: NYLON, 94V-0.
 TERMINAL PIN: BRASS
 FINISH: SEE CHARTS ON SHEET 2 & SUBSEQUENT SHEETS
 2. PINS MUST MEET MOLEX SOLDERABILITY SPEC. ES-152
 3. PIN PUSH-OUT FORCE (0.907 KG)/2 lbs MIN.



5045-N ***
 BASE NUMBER
 NO. OF CCTS.
 VOID POS'N
 BLANK - NO VOIDS
 KINKS: K-WITH KINKS
 BLANK-WITHOUT KINKS
 ASSEMBLY
 VERSION

FOR PREVIOUS DRAWING ISSUES SEE MRL.	PART NO. CORRECTION ECN ELDIAT 93.04.01 W.G.F	DIMENSIONS SHOWN (METRIC) INCH UNLESS OTHERWISE SPECIFIED TOLERANCES IN INCH & METRIC	DRWG BY CD	CAD/CAM FILE NAME S450454	THIS DRAWING CONTAINS INFORMATION THAT IS PROPRIETARY TO MOLEX INC. & SHOULD NOT BE USED WITHOUT WRITTEN PERMISSION	
	REVISIONS	1 PLACE # ± 0.00 2 PLACE # ± 0.06 ± 0.25 3 PLACE # ± 0.40	CHK'D BY	TITLE WAFER, FRICTION LOCK KK, (2.50)/.098 CENTRES FOR (0.64)/.025 SQ. PINS	SHT. REV. 3 N 2 P 1 P	
	DESIGN DIMENSION (PRIMARY) <input type="checkbox"/> (MM) EQUIVALENT DIMENSION (SECONDARY) <input type="checkbox"/> IN.	DRIFT WHERE APPLICABLE MUST REMAIN WITHIN DIMENSIONS	APPR'D BY	SCALE 4:1	MOLEX EUROPE	PART NO. SEE CHART DWG. NO. 10F3 9/12/5 SIZE C
	DATE					

	10	9	8	7	6	5	4	3	2	1																																																																																																																															
F	<table border="1" style="width:100%; border-collapse: collapse;"> <tr> <th colspan="3" style="text-align: center;">WITHOUT VOIDS</th> </tr> <tr> <td colspan="3" style="text-align: center;">PLATING: ELECTRO TIN 5 micron MIN. OVER 2.5 microns COPPER MIN.</td> </tr> <tr> <th style="width: 20%;">ENG. NO.</th> <th style="width: 20%;">PART NO.</th> <th style="width: 60%;">NO. OF CCTS.</th> </tr> <tr><td>A-5045- 2A</td><td>22-04-1021</td><td>2</td></tr> <tr><td>A-5045- 3A</td><td>22-04-1031</td><td>3</td></tr> <tr><td>A-5045- 4A</td><td>22-04-1041</td><td>4</td></tr> <tr><td>A-5045- 5A</td><td>22-04-1051</td><td>5</td></tr> <tr><td>A-5045- 6A</td><td>22-04-1061</td><td>6</td></tr> <tr><td>A-5045- 7A</td><td>22-04-1071</td><td>7</td></tr> <tr><td>A-5045- 8A</td><td>22-04-1081</td><td>8</td></tr> <tr><td>A-5045- 9A</td><td>22-04-1091</td><td>9</td></tr> <tr><td>A-5045-10A</td><td>22-04-1101</td><td>10</td></tr> <tr><td> </td><td> </td><td> </td></tr> <tr><td> </td><td> </td><td> </td></tr> <tr><td> </td><td> </td><td> </td></tr> <tr><td> </td><td> </td><td> </td></tr> <tr><td>A-5045-17A</td><td>22-04-1171</td><td>17</td></tr> </table> <table border="1" style="width:100%; border-collapse: collapse;"> <tr> <th colspan="4" style="text-align: center;">WITH VOIDS</th> </tr> <tr> <td colspan="4" style="text-align: center;">PLATING: ELECTRO TIN 5 micron MIN. OVER 2.5 microns COPPER MIN.</td> </tr> <tr> <th style="width: 20%;">ENG. NO.</th> <th style="width: 20%;">PART NO.</th> <th style="width: 20%;">NO. OF CCTS.</th> <th style="width: 40%;">VOID POS'N</th> </tr> <tr><td>A-5045- 3A-2</td><td>22-04-1038</td><td>3</td><td>2</td></tr> <tr><td>A-5045- 4A-51</td><td>38-00-1391</td><td>4</td><td>2,3</td></tr> <tr><td>A-5045- 5A-3</td><td>38-00-0668</td><td>5</td><td>3</td></tr> <tr><td>A-5045- 5A-4</td><td>38-00-0669</td><td>5</td><td>4</td></tr> <tr><td>A-5045- 5A-51</td><td>22-04-1057</td><td>5</td><td>2,4</td></tr> <tr><td>A-5045- 6A-51</td><td>38-00-0218</td><td>6</td><td>2,3,5</td></tr> <tr><td>A-5045- 7A-0204</td><td>22-04-1078</td><td>7</td><td>2,4</td></tr> <tr><td>A-5045- 7A-0406</td><td>22-04-1079</td><td>7</td><td>4,6</td></tr> <tr><td>A-5045- 7A-51</td><td>22-04-1077</td><td>7</td><td>2,4,6</td></tr> <tr><td>A-5045- 9A-51</td><td>22-04-1097</td><td>9</td><td>2,4,6,8</td></tr> <tr><td>A-5045-11A-51</td><td>22-04-1117</td><td>11</td><td>2,4,6,8,10</td></tr> <tr><td>A-5045-13A-51</td><td>22-04-1137</td><td>13</td><td>2,4,6,8,10,12</td></tr> <tr><td>A-5045-19A-51</td><td>22-04-1119</td><td>19</td><td>2,4,6,8,10,12 14,16,18</td></tr> </table> <table border="1" style="width:100%; border-collapse: collapse;"> <tr> <th colspan="3" style="text-align: center;">WITH KINKS-W/OUT VOIDS</th> </tr> <tr> <td colspan="3" style="text-align: center;">PLATING: ELECTRO TIN 5 micron MIN. OVER 2.5 microns COPPER MIN.</td> </tr> <tr> <th style="width: 20%;">ENG. NO.</th> <th style="width: 20%;">PART NO.</th> <th style="width: 60%;">NO. OF CCTS.</th> </tr> <tr> <td>A-5045- 2AK</td> <td>38-00-7255</td> <td>2</td> </tr> </table>										WITHOUT VOIDS			PLATING: ELECTRO TIN 5 micron MIN. OVER 2.5 microns COPPER MIN.			ENG. NO.	PART NO.	NO. OF CCTS.	A-5045- 2A	22-04-1021	2	A-5045- 3A	22-04-1031	3	A-5045- 4A	22-04-1041	4	A-5045- 5A	22-04-1051	5	A-5045- 6A	22-04-1061	6	A-5045- 7A	22-04-1071	7	A-5045- 8A	22-04-1081	8	A-5045- 9A	22-04-1091	9	A-5045-10A	22-04-1101	10													A-5045-17A	22-04-1171	17	WITH VOIDS				PLATING: ELECTRO TIN 5 micron MIN. OVER 2.5 microns COPPER MIN.				ENG. NO.	PART NO.	NO. OF CCTS.	VOID POS'N	A-5045- 3A-2	22-04-1038	3	2	A-5045- 4A-51	38-00-1391	4	2,3	A-5045- 5A-3	38-00-0668	5	3	A-5045- 5A-4	38-00-0669	5	4	A-5045- 5A-51	22-04-1057	5	2,4	A-5045- 6A-51	38-00-0218	6	2,3,5	A-5045- 7A-0204	22-04-1078	7	2,4	A-5045- 7A-0406	22-04-1079	7	4,6	A-5045- 7A-51	22-04-1077	7	2,4,6	A-5045- 9A-51	22-04-1097	9	2,4,6,8	A-5045-11A-51	22-04-1117	11	2,4,6,8,10	A-5045-13A-51	22-04-1137	13	2,4,6,8,10,12	A-5045-19A-51	22-04-1119	19	2,4,6,8,10,12 14,16,18	WITH KINKS-W/OUT VOIDS			PLATING: ELECTRO TIN 5 micron MIN. OVER 2.5 microns COPPER MIN.			ENG. NO.	PART NO.	NO. OF CCTS.	A-5045- 2AK	38-00-7255	2
WITHOUT VOIDS																																																																																																																																									
PLATING: ELECTRO TIN 5 micron MIN. OVER 2.5 microns COPPER MIN.																																																																																																																																									
ENG. NO.											PART NO.	NO. OF CCTS.																																																																																																																													
A-5045- 2A											22-04-1021	2																																																																																																																													
A-5045- 3A											22-04-1031	3																																																																																																																													
A-5045- 4A											22-04-1041	4																																																																																																																													
A-5045- 5A											22-04-1051	5																																																																																																																													
A-5045- 6A											22-04-1061	6																																																																																																																													
A-5045- 7A											22-04-1071	7																																																																																																																													
A-5045- 8A	22-04-1081	8																																																																																																																																							
A-5045- 9A	22-04-1091	9																																																																																																																																							
A-5045-10A	22-04-1101	10																																																																																																																																							
A-5045-17A	22-04-1171	17																																																																																																																																							
WITH VOIDS																																																																																																																																									
PLATING: ELECTRO TIN 5 micron MIN. OVER 2.5 microns COPPER MIN.																																																																																																																																									
ENG. NO.	PART NO.	NO. OF CCTS.	VOID POS'N																																																																																																																																						
A-5045- 3A-2	22-04-1038	3	2																																																																																																																																						
A-5045- 4A-51	38-00-1391	4	2,3																																																																																																																																						
A-5045- 5A-3	38-00-0668	5	3																																																																																																																																						
A-5045- 5A-4	38-00-0669	5	4																																																																																																																																						
A-5045- 5A-51	22-04-1057	5	2,4																																																																																																																																						
A-5045- 6A-51	38-00-0218	6	2,3,5																																																																																																																																						
A-5045- 7A-0204	22-04-1078	7	2,4																																																																																																																																						
A-5045- 7A-0406	22-04-1079	7	4,6																																																																																																																																						
A-5045- 7A-51	22-04-1077	7	2,4,6																																																																																																																																						
A-5045- 9A-51	22-04-1097	9	2,4,6,8																																																																																																																																						
A-5045-11A-51	22-04-1117	11	2,4,6,8,10																																																																																																																																						
A-5045-13A-51	22-04-1137	13	2,4,6,8,10,12																																																																																																																																						
A-5045-19A-51	22-04-1119	19	2,4,6,8,10,12 14,16,18																																																																																																																																						
WITH KINKS-W/OUT VOIDS																																																																																																																																									
PLATING: ELECTRO TIN 5 micron MIN. OVER 2.5 microns COPPER MIN.																																																																																																																																									
ENG. NO.	PART NO.	NO. OF CCTS.																																																																																																																																							
A-5045- 2AK	38-00-7255	2																																																																																																																																							
E																																																																																																																																									
D																																																																																																																																									
C																																																																																																																																									
B																																																																																																																																									
A																																																																																																																																									
F																																																																																																																																									

PART NO. SEE CHART
DWG. NO. SDA-5045-N***

FOR PREVIOUS DRAWING ISSUES SEE MRI.

P SEE SHEET I.

LTR REVISIONS

DIMENSIONS SHOWN (METRIC) INCH
UNLESS OTHERWISE SPECIFIED TOLERANCES: ANGULAR ± 1/2°

INCH		(METRIC)	
3 PLACE	± .	±	±
2 PLACE	± .	±	±
1 PLACE	±	±	±

DRAFT WHERE APPLICABLE MUST REMAIN WITHIN DIMENSIONS
DESIGN DIMENSION (MM) IN.
EQUIVALENT DIMENSION (MM) IN.
(SECONDARY)

DRWG BY CD
CHK'D BY
APP'D BY
SCALE ---

REVISE ONLY ON CAD SYSTEM		SH. REV.
CAD/CAM FILENAME SAS045X2 DCN	THIS DRAWING CONTAINS INFORMATION THAT IS PROPRIETARY TO MOLEX INC. & SHOULD NOT BE USED WITHOUT WRITTEN PERMISSION	
TITLE WAFER, FRICTION LOCK KK, (2.50)/.098 CENTRES FOR (0.64)/.025 SQ.PINS		
MOLEX EUROPE	SHEET NO. DATE 20F 91/12/5	PART NO. DWG NO. SIZE SEE CHART SDA-5045-N*** B

7132-1283