

Triple Line Receiver

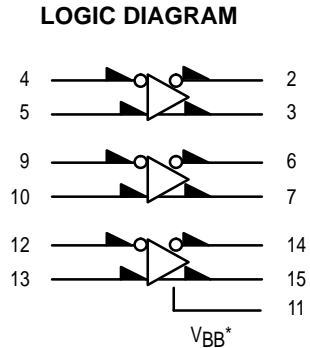
The MC10114 is a triple line receiver designed for use in sensing differential signals over long lines. An active current source and translated emitter follower inputs provide the line receiver with a common mode noise rejection limit of one volt in either the positive or the negative direction. This allows a large amount of common mode noise immunity for extra long lines.

Another feature of the MC10114 is that the OR outputs go to a logic low level whenever the inputs are left floating. The outputs are each capable of driving 50 ohm transmission lines.

This device is useful in high speed central processors, minicomputers, peripheral controllers, digital communication systems, testing and instrumentation systems. The MC10114 can also be used for MOS to MECL interfacing and it is ideal as a sense amplifier for MOS RAM's.

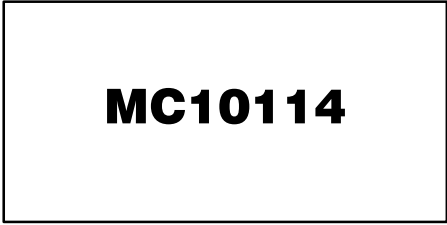
A V_{BB} reference is provided which is useful in making the MC10114 a Schmit trigger, allowing single-ended driving of the inputs, or other applications where a stable reference voltage is necessary. See MECL Design Handbook (HB205) pages 226 and 228.

$P_D = 145 \text{ mW typ/pkg}$
 $t_{pd} = 2.4 \text{ ns typ (Single Ended Input)}$
 $t_{pd} = 2.0 \text{ ns typ (Differential Input)}$
 $t_r, t_f = 2.1 \text{ ns typ (20\% to 80\%)}$



$V_{CC1} = \text{PIN } 1$
 $V_{CC2} = \text{PIN } 16$
 $V_{EE} = \text{PIN } 8$

* V_{BB} to be used to supply bias to the MC10114 only and bypassed (when used) with 0.01 μF to 0.1 μF capacitor to ground (0 V). V_{BB} can source < 1.0 mA.
 When the input pin with the bubble goes positive, its respective output pin with bubble goes positive.

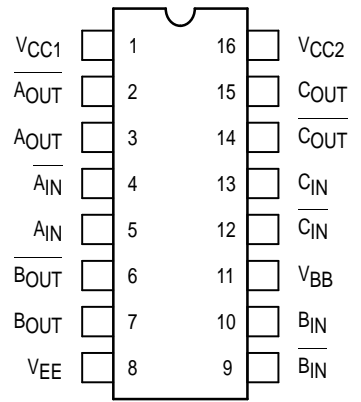


L SUFFIX
CERAMIC PACKAGE
CASE 620-10

P SUFFIX
PLASTIC PACKAGE
CASE 648-08

FN SUFFIX
PLCC
CASE 775-02

**DIP
PIN ASSIGNMENT**



Pin assignment is for Dual-in-Line Package.
 For PLCC pin assignment, see the Pin Conversion Tables on page 6-11 of the Motorola MECL Data Book (DL122/D).

ELECTRICAL CHARACTERISTICS

Characteristic	Symbol	Pin Under Test	Test Limits							Unit
			-30°C		+25°C			+85°C		
			Min	Max	Min	Typ	Max	Min	Max	
Power Supply Drain Current	I _E	8		39		28	35		39	mAdc
Input Current	I _{inH}	4		70			45		45	μAdc
	I _{CBO}	4		1.5			1.0		1.0	μAdc
Output Voltage Logic 1	V _{OH}	2	-1.060	-0.890	-0.960		-0.810	-0.890	-0.700	Vdc
		3	-1.060	-0.890	-0.960		-0.810	-0.890	-0.700	
Output Voltage Logic 0	V _{OL}	2	-1.890	-1.675	-1.850		-1.650	-1.825	-1.615	Vdc
		3	-1.890	-1.675	-1.850		-1.650	-1.825	-1.615	
Threshold Voltage Logic 1	V _{OHA}	2	-1.080		-0.980			-0.910		Vdc
		3	-1.080		-0.980			-0.910		
Threshold Voltage Logic 0	V _{OLA}	2		-1.655			-1.630		-1.595	Vdc
		3		-1.655			-1.630		-1.595	
Reference Voltage	V _{BB}	11	-1.420	-1.280	-1.350		-1.230	-1.295	-1.150	Vdc
Common Mode Rejection Test	V _{OH}	2	-1.060	-0.890	-0.960		-0.810	-0.890	-0.700	Vdc
		3	-1.060	-0.890	-0.960		-0.810	-0.890	-0.700	
	V _{OL}	2	-1.890	-1.675	-1.850		-1.650	-1.825	-1.615	Vdc
		3	-1.890	-1.675	-1.850		-1.650	-1.825	-1.615	
Switching Times (50Ω Load)			Min	Max	Min	Typ	Max	Min	Max	ns
Propagation Delay	t ₄₊₂₊	2	1.0	4.4	1.0	2.4	4.0	0.9	4.3	
	t ₄₋₂₋	2	1.0	4.4	1.0	2.4	4.0	0.9	4.3	
	t ₄₊₃₋	3	1.0	4.4	1.0	2.4	4.0	0.9	4.3	
	t ₄₋₃₊	3	1.0	4.4	1.0	2.4	4.0	0.9	4.3	
Rise Time (20 to 80%)	t ₂₊	2	1.5	3.8	1.5	2.1	3.5	1.5	3.7	
	t ₃₊	3	1.5	3.8	1.5	2.1	3.5	1.5	3.7	
Fall Time (20 to 80%)	t ₂₋	2	1.5	3.8	1.5	2.1	3.5	1.5	3.7	
	t ₃₋	3	1.5	3.8	1.5	2.1	3.5	1.5	3.7	

ELECTRICAL CHARACTERISTICS (continued)

			TEST VOLTAGE VALUES (Volts)					From Pin 11	Unit
			V _{IHmax}	V _{ILmin}	V _{IHAmin}	V _{ILAmax}	V _{BB}		
@ Test Temperature			-30°C	-0.890	-1.890	-1.205	-1.500		
			+25°C	-0.810	-1.850	-1.105	-1.475		
			+85°C	-0.700	-1.825	-1.035	-1.440		
Characteristic	Symbol	Pin Under Test	TEST VOLTAGE APPLIED TO PINS LISTED BELOW					Unit	
			V _{IHmax}	V _{ILmin}	V _{IHAmin}	V _{ILAmax}	V _{BB}		
Power Supply Drain Current	I _E	8		4, 9, 12			5, 10, 13	mAdc	
Input Current	I _{inH}	4	4	9, 12			5, 10, 13	μAdc	
	I _{inL}	4		9, 12			5, 10, 13	μAdc	
Output Voltage	Logic 1	V _{OH}	2	4	9, 12		5, 10, 13	Vdc	
			3	9, 12	4		5, 10, 13		
Output Voltage	Logic 0	V _{OL}	2	9, 12	4		5, 10, 13	Vdc	
			3	4	9, 12		5, 10, 13		
Threshold Voltage	Logic 1	V _{OHA}	2	9, 12	4		5, 10, 13	Vdc	
			3	9, 12	4	4	5, 10, 13		
Threshold Voltage	Logic 0	V _{OLA}	2	9, 12			5, 10, 13	Vdc	
			3	9, 12	4	4	5, 10, 13		
Reference Voltage	V _{BB}	11					5, 10, 13	Vdc	
Common Mode Rejection Test	V _{OH}	2						Vdc	
		3							
	V _{OL}	2						Vdc	
		3							
Switching Times	(50Ω Load)				Pulse In	Pulse Out		ns	
Propagation Delay	t ₄₊₂₊	2			4	2	5, 10, 13		
	t ₄₋₂₋	2			4	2	5, 10, 13		
	t ₄₊₃₋	3			4	3	5, 10, 13		
	t ₄₋₃₊	3			4	3	5, 10, 13		
Rise Time	(20 to 80%)	t ₂₊	2		4	2	5, 10, 13		
		t ₃₊	3		4	3	5, 10, 13		
Fall Time	(20 to 80%)	t ₂₋	2		4	2	5, 10, 13		
		t ₃₋	3		4	3	5, 10, 13		

ELECTRICAL CHARACTERISTICS (continued)

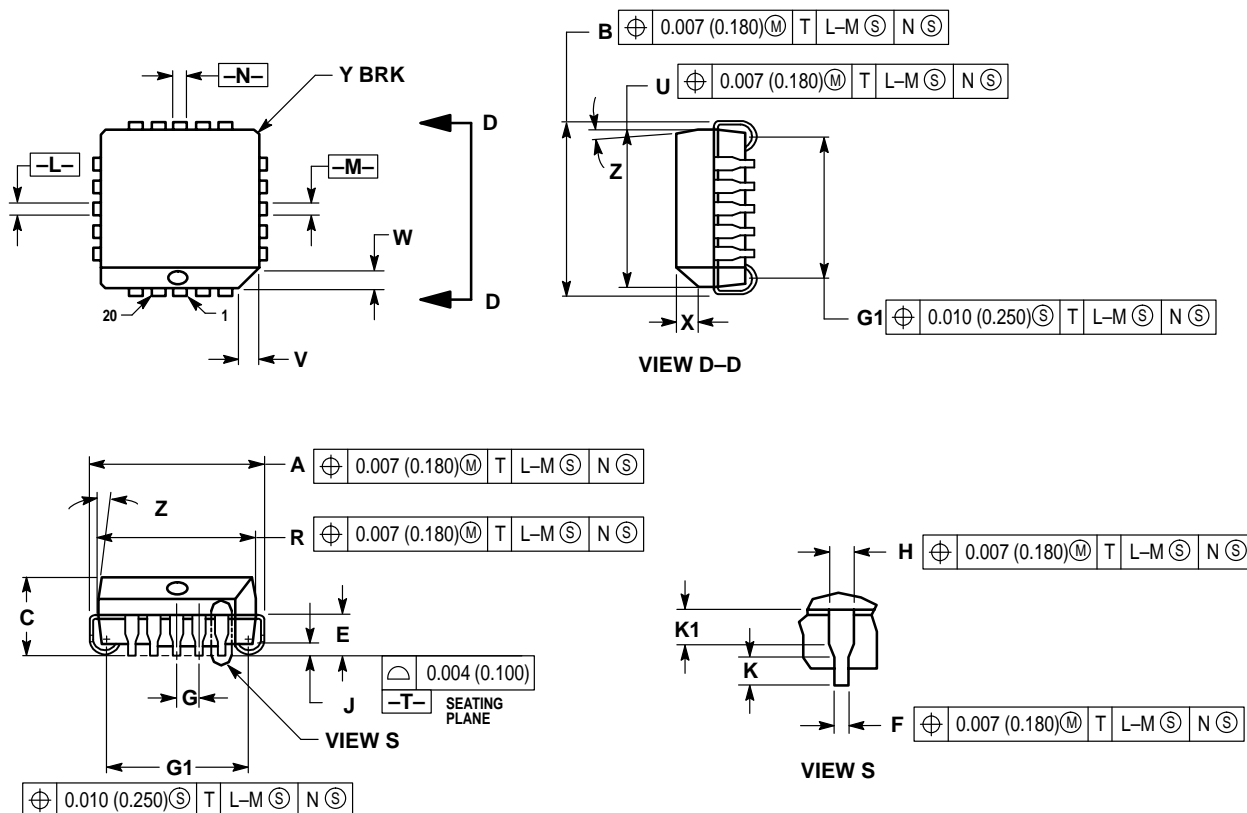
			TEST VOLTAGE VALUES (Volts)					(V _{CC}) Gnd
			V _{IHH} *	V _{ILH} *	V _{IHL} *	V _{ILL} *	V _{EE}	
@ Test Temperature								
-30°C			+0.110	-0.890	-1.890	-2.890	-5.2	
+25°C			+0.190	-0.850	-1.810	-2.850	-5.2	
+85°C			+0.300	-0.825	-1.700	-2.825	-5.2	
Characteristic	Symbol	Pin Under Test	TEST VOLTAGE APPLIED TO PINS LISTED BELOW					
			V _{IHH} *	V _{ILH} *	V _{IHL} *	V _{ILL} *	V _{EE}	
Power Supply Drain Current	I _E	8					8	1, 16
Input Current	I _{inH}	4					8	1, 16
	I _{inL}	4					8, 4	1, 16
Output Voltage	Logic 1	VOH	2				8	1, 16
			3				8	1, 16
Output Voltage	Logic 0	VOL	2				8	1, 16
			3				8	1, 16
Threshold Voltage	Logic 1	VOHA	2				8	1, 16
			3				8	1, 16
Threshold Voltage	Logic 0	VOLA	2				8	1, 16
			3				8	1, 16
Reference Voltage	V _{BB}	11					8	1, 16
Common Mode Rejection Test	VOH	2	4	5			8	1, 16
		3		5	4		8	1, 16
	VOL	2		5	4		8	1, 16
		3	4	5			8	1, 16
Switching Times (50Ω Load)							-3.2 V	+2.0 V
Propagation Delay	t ₄₊₂₊ t ₄₋₂₋ t ₄₊₃₋ t ₄₋₃₊	2					8	1, 16
		2					8	1, 16
		3					8	1, 16
		3					8	1, 16
Rise Time (20 to 80%)	t ₂₊ t ₃₊	2					8	1, 16
		3					8	1, 16
Fall Time (20 to 80%)	t ₂₋ t ₃₋	2					8	1, 16
		3					8	1, 16

* V_{IHH} = Input Logic 1 level shifted positive one volt for common mode rejection tests
 V_{ILH} = Input Logic 0 level shifted positive one volt for common mode rejection tests
 V_{IHL} = Input Logic 1 level shifted negative one volt for common mode rejection tests
 V_{ILL} = Input Logic 0 level shifted negative one volt for common mode rejection tests

Each MECL 10,000 series circuit has been designed to meet the dc specifications shown in the test table, after thermal equilibrium has been established. The circuit is in a test socket or mounted on a printed circuit board and transverse air flow greater than 500 linear fpm is maintained. Outputs are terminated through a 50-ohm resistor to -2.0 volts. Test procedures are shown for only one gate. The other gates are tested in the same manner.

OUTLINE DIMENSIONS

FN SUFFIX
 PLASTIC PLCC PACKAGE
 CASE 775-02
 ISSUE C



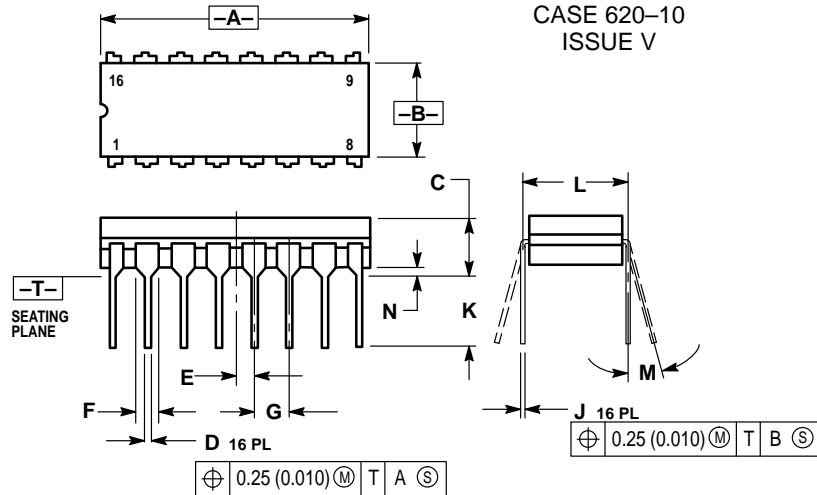
NOTES:

- DATUMS -L-, -M-, AND -N- DETERMINED WHERE TOP OF LEAD SHOULDER EXITS PLASTIC BODY AT MOLD PARTING LINE.
- DIMENSION G1, TRUE POSITION TO BE MEASURED AT DATUM -T-, SEATING PLANE.
- DIMENSIONS R AND U DO NOT INCLUDE MOLD FLASH. ALLOWABLE MOLD FLASH IS 0.010 (0.250) PER SIDE.
- DIMENSIONING AND TOLERANCING PER ANSI Y14.5M, 1982.
- CONTROLLING DIMENSION: INCH.
- THE PACKAGE TOP MAY BE SMALLER THAN THE PACKAGE BOTTOM BY UP TO 0.012 (0.300). DIMENSIONS R AND U ARE DETERMINED AT THE OUTERMOST EXTREMES OF THE PLASTIC BODY EXCLUSIVE OF MOLD FLASH, TIE BAR BURRS, GATE BURRS AND INTERLEAD FLASH, BUT INCLUDING ANY MISMATCH BETWEEN THE TOP AND BOTTOM OF THE PLASTIC BODY.
- DIMENSION H DOES NOT INCLUDE DAMBAR PROTRUSION OR INTRUSION. THE DAMBAR PROTRUSION(S) SHALL NOT CAUSE THE H DIMENSION TO BE GREATER THAN 0.037 (0.940). THE DAMBAR INTRUSION(S) SHALL NOT CAUSE THE H DIMENSION TO BE SMALLER THAN 0.025 (0.635).

DIM	INCHES		MILLIMETERS	
	MIN	MAX	MIN	MAX
A	0.385	0.395	9.78	10.03
B	0.385	0.395	9.78	10.03
C	0.165	0.180	4.20	4.57
E	0.090	0.110	2.29	2.79
F	0.013	0.019	0.33	0.48
G	0.050 BSC		1.27 BSC	
H	0.026	0.032	0.66	0.81
J	0.020	—	0.51	—
K	0.025	—	0.64	—
R	0.350	0.356	8.89	9.04
U	0.350	0.356	8.89	9.04
V	0.042	0.048	1.07	1.21
W	0.042	0.048	1.07	1.21
X	0.042	0.056	1.07	1.42
Y	—	0.020	—	0.50
Z	2°	10°	2°	10°
G1	0.310	0.330	7.88	8.38
K1	0.040	—	1.02	—

OUTLINE DIMENSIONS

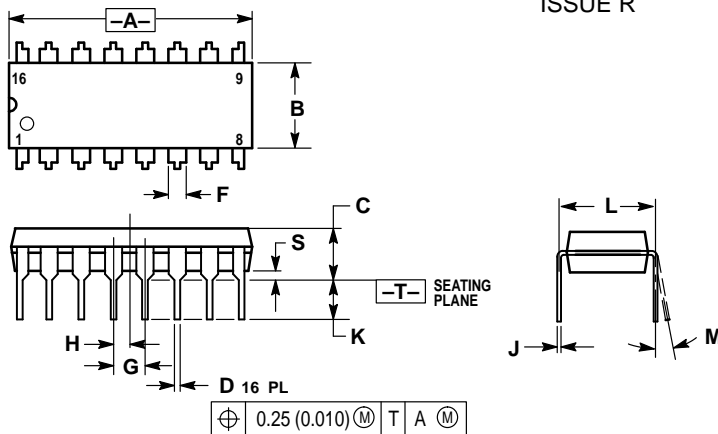
L SUFFIX
CERAMIC DIP PACKAGE
CASE 620-10
ISSUE V



- NOTES:
1. DIMENSIONING AND TOLERANCING PER ANSI Y14.5M, 1982.
 2. CONTROLLING DIMENSION: INCH.
 3. DIMENSION L TO CENTER OF LEAD WHEN FORMED PARALLEL.
 4. DIMENSION F MAY NARROW TO 0.76 (0.030) WHERE THE LEAD ENTERS THE CERAMIC BODY.


DIM	INCHES		MILLIMETERS	
	MIN	MAX	MIN	MAX
A	0.750	0.785	19.05	19.93
B	0.240	0.295	6.10	7.49
C	—	0.200	—	5.08
D	0.015	0.020	0.39	0.50
E	0.050 BSC		1.27 BSC	
F	0.055	0.065	1.40	1.65
G	0.100 BSC		2.54 BSC	
H	0.008	0.015	0.21	0.38
K	0.125	0.170	3.18	4.31
L	0.300 BSC		7.62 BSC	
M	0°	15°	0°	15°
N	0.020	0.040	0.51	1.01

P SUFFIX
PLASTIC DIP PACKAGE
CASE 648-08
ISSUE R



- NOTES:
1. DIMENSIONING AND TOLERANCING PER ANSI Y14.5M, 1982.
 2. CONTROLLING DIMENSION: INCH.
 3. DIMENSION L TO CENTER OF LEADS WHEN FORMED PARALLEL.
 4. DIMENSION B DOES NOT INCLUDE MOLD FLASH.
 5. ROUNDED CORNERS OPTIONAL.

DIM	INCHES		MILLIMETERS	
	MIN	MAX	MIN	MAX
A	0.740	0.770	18.80	19.55
B	0.250	0.270	6.35	6.85
C	0.145	0.175	3.69	4.44
D	0.015	0.021	0.39	0.53
F	0.040	0.70	1.02	1.77
G	0.100 BSC		2.54 BSC	
H	0.050 BSC		1.27 BSC	
J	0.008	0.015	0.21	0.38
K	0.110	0.130	2.80	3.30
L	0.295	0.305	7.50	7.74
M	0°	10°	0°	10°
S	0.020	0.040	0.51	1.01

Motorola reserves the right to make changes without further notice to any products herein. Motorola makes no warranty, representation or guarantee regarding the suitability of its products for any particular purpose, nor does Motorola assume any liability arising out of the application or use of any product or circuit, and specifically disclaims any and all liability, including without limitation consequential or incidental damages. "Typical" parameters which may be provided in Motorola data sheets and/or specifications can and do vary in different applications and actual performance may vary over time. All operating parameters, including "Typicals" must be validated for each customer application by customer's technical experts. Motorola does not convey any license under its patent rights nor the rights of others. Motorola products are not designed, intended, or authorized for use as components in systems intended for surgical implant into the body, or other applications intended to support or sustain life, or for any other application in which the failure of the Motorola product could create a situation where personal injury or death may occur. Should Buyer purchase or use Motorola products for any such unintended or unauthorized application, Buyer shall indemnify and hold Motorola and its officers, employees, subsidiaries, affiliates, and distributors harmless against all claims, costs, damages, and expenses, and reasonable attorney fees arising out of, directly or indirectly, any claim of personal injury or death associated with such unintended or unauthorized use, even if such claim alleges that Motorola was negligent regarding the design or manufacture of the part. Motorola and  are registered trademarks of Motorola, Inc. Motorola, Inc. is an Equal Opportunity/Affirmative Action Employer.

How to reach us:

USA/EUROPE/Locations Not Listed: Motorola Literature Distribution; P.O. Box 5405, Denver, Colorado 80217. 303-675-2140 or 1-800-441-2447

Mfax™: RMFAX0@email.sps.mot.com – TOUCHTONE 602-244-6609
INTERNET: http://Design-NET.com

JAPAN: Nippon Motorola Ltd.; Tatsumi-SPD-JLDC, 6F Seibu-Butsuryu-Center, 3-14-2 Tatsumi Koto-Ku, Tokyo 135, Japan. 81-3-3521-8315

ASIA/PACIFIC: Motorola Semiconductors H.K. Ltd.; 8B Tai Ping Industrial Park, 51 Ting Kok Road, Tai Po, N.T., Hong Kong. 852-26629298

