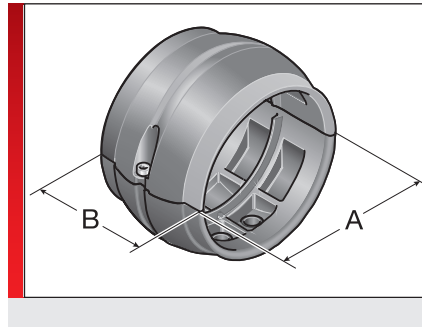


KMG/F ball bearing - SRF hose ring



PRODUCT INFORMATION

The KMG/F and SRF have been designed for robot applications and other moving handling equipment.

The SH system holder can be mounted easily and quickly in the detachably connected inlays and is the perfect fit for fixing Murrflex cable protection conduits.

The KMG-F and SRF are made of especially modified polyamide.

The special advantages of the KMG-F centre ball joint and of the SRF hose ring are:

- Suitable for conversions or subsequent installation
- May be used statically fixed (KMG-F + SRF) or detachable at the axis (KMG-F)
- Long service life
- easy assembly and disassembly
- Murrflex cable protection conduits are firmly fastened and are therefore securely routed

SPECIFICATIONS

	Mod. polyamide
	-40 – 110 °C transient / short term 140 °C
	V0
	HF
	RoHS
	Made in Germany

Type	Order No.	Colour	Suitable for Murrflex	Suitable for System holder	Version	A mm	B mm	Pack qty.
Centre ball joint (fixed) for fastening cable protection conduits								
KMG-F-M25	83691658	Black	M25/P21	SH-P / M25-M32	separable	42.50	27.50	1
KMG-F-M32	83691660	Black	M32/P29	SH-P / M25-M32	separable	42.50	27.50	1
KMG-F-M40	83691662	Black	M40/P36	SH M40-M50	separable	69.00	44.00	1
KMG-F-M50	83691664	Black	M50/P48	SH M40-M50	separable	69.00	44.00	1
Set consists of KMG/F + SH-P M40/M50								
Set KMG-F-M40	83691663	Black	M40/P36		separable	69.00	44.00	1
Set KMG-F-M50	83691665	Black	M50/P48		separable	69.00	44.00	1
Hose ring (fixed) for fastening cable protection conduits								
SRF-M40/P36 ¹⁾	83692288	Black	M40/P36	SH 56/70	separable	89.50	27.00	1
SRF-M50/P48 ¹⁾	83692289	Black	M50/P48	SH 56/70	separable	89.50	27.00	1
SRF-56	83692290	Black	NW56	SH 56/70	separable	89.50	27.00	1
SRF-68	83692291	Black	NW68	SH 56/70	separable	89.50	27.00	1
SRF-70	83692292	Black	NW70	SH 56/70	separable	89.50	27.00	1
Set consist of SRF + SH 56/70								
Set SRF-68	83692246	Black	NW68		separable	89.50	27.00	1

¹⁾* mainly developed for use in the R-TecBox-36/48 for continuous laying of a Murrplastik corrugated conduit.

KMG/F ball bearing - SRF hose ring



THERMAL PROPERTIES



FIRE BEHAVIOUR



APPROVALS AND OPERATING PERMITS



TECHNICAL INFORMATION



CONFORMITY



GENERAL INFORMATION



All details given in our sales material prospectuses and catalogues as well as the information available online are based on our current knowledge of the products described.

The electronic data and files made available by Murrplastik, particularly CAD files are based on our current knowledge of the product described.

A legally binding assurance of certain properties or the suitability for a certain purpose can not be determined from this information.

All information with respect to the chemical and physical properties of Murrplastik products as well as application advice given verbally, in writing or by tests, is given to the best of our knowledge.

This does not free the purchaser of carrying out their own inspections and tests in order to determine the suitability of a product for a specific purpose.

Murrplastik accepts no responsibility for the available information being up-to-date, correct or complete. Neither do we accept responsibility for the quality of this information.

Murrplastik accepts no liability for damage caused as a result of using our products.

Murrplastik reserves the right to make technical changes and improvements through constant further development of products and services.

Our General Terms and Conditions apply.

© Murrplastik Systemtechnik GmbH • prodID_96597~20170601~890283~aur_kug_kmg_f