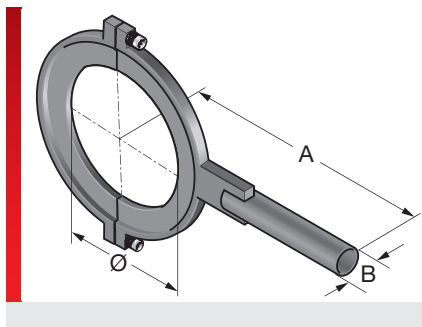


Tension clamp (axis 6)




PRODUCT INFORMATION

The R-SSR tension clamp serves to provide a fixing point on axis 6. Additional fastening elements can be affixed to the tension clamp as required.

SPECIFICATIONS

-  Powder coated Sheet steel
-   

Type	Order No.	Colour	Ø mm	A mm	B mm	Pack qty.
R-SSR 95-1 15° clamp	83952669	Black	95.00	289.00	32.00	1

 Powder coated Sheet steel

CONFORMITY

 **RoHS (EC Directive 2011/65/EU)**

APPROVALS AND OPERATING PERMITS

 **ROBI approval**

 **Made in Germany**

All details given in our sales brochures and catalogues, as well as the information available online, are based on our current knowledge of the products described.

The electronic data and files made available by Murrplastik, particularly CAD files are based on our current knowledge of the product described.

A legally binding assurance of certain properties or the suitability for a certain purpose can not be determined from this information.

All information with respect to the chemical and physical properties of Murrplastik products, as well as application advice given verbally, in writing or by tests, is given to the best of our knowledge.

This does not free the purchaser of carrying out their own inspections and tests in order to determine the suitability of a product for a specific purpose.

Murrplastik accepts no responsibility for the available information being up-to-date, correct or complete. Neither do we accept responsibility for the quality of this information.

Murrplastik accepts no liability for damage caused as a result of using our products.

Murrplastik reserves the right to make technical changes and improvements through constant further development of products and services.

Our General Terms and Conditions apply.