

LM725 Operational Amplifier

General Description

The LM725/LM725A/LM725C are operational amplifiers featuring superior performance in applications where low noise, low drift, and accurate closed-loop gain are required. With high common mode rejection and offset null capability, it is especially suited for low level instrumentation applications over a wide supply voltage range.

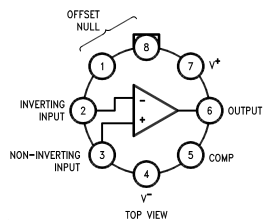
The LM725A has tightened electrical performance with higher input accuracy and like the LM725, is guaranteed over a -55°C to $+125^{\circ}\text{C}$ temperature range. The LM725C has slightly relaxed specifications and has its performance guaranteed over a 0°C to 70°C temperature range.

Features

- High open loop gain 3,000,000
- Low input voltage drift $0.6 \mu\text{V}/^{\circ}\text{C}$
- High common mode rejection 120 dB
- Low input noise current $0.15 \text{ pA}/\sqrt{\text{Hz}}$
- Low input offset current 2 nA
- High input voltage range $\pm 14\text{V}$
- Wide power supply range $\pm 3\text{V}$ to $\pm 22\text{V}$
- Offset null capability
- Output short circuit protection

Connection Diagrams

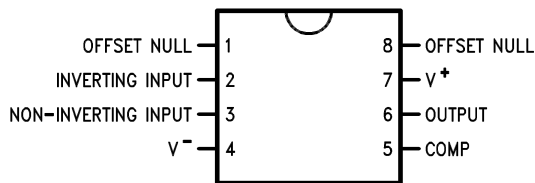
Metal Can Package



01047401

Order Number LM725H/883, LM725CH or LM725AH/883
See NS Package Number H08C

Dual-In-Line Package

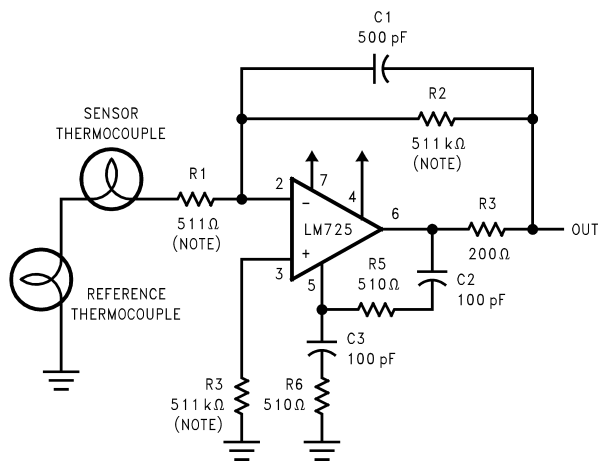


01047402

Order Number LM725CN
See NS Package Number N08E

Typical Applications

Thermocouple Amplifier



01047410

Absolute Maximum Ratings (Note 1)

If Military/Aerospace specified devices are required, please contact the National Semiconductor Sales Office/Distributors for availability and specifications.

Supply Voltage	±22V
Internal Power Dissipation (Note 2)	500 mW
Differential Input Voltage	±5V
Input Voltage (Note 3)	±22V
Storage Temperature Range	-65°C to +150°C

Lead Temperature

(Soldering, 10 Sec.)

260°C

Maximum Junction Temperature

150°C

Operating Temperature Range

 $T_{A(MIN)}$ $T_{A(MAX)}$

LM725 -55°C to +125°C

LM725A -55°C to +125°C

LM725C 0°C to +70°C

Electrical Characteristics (Note 4)

Parameter	Conditions	LM725A			LM725			LM725C			Units
		Min	Typ	Max	Min	Typ	Max	Min	Typ	Max	
Input Offset Voltage (Without External Trim)	$T_A = 25^\circ\text{C}$, $R_S \leq 10\text{ k}\Omega$			0.5		0.5	1.0		0.5	2.5	mV
Input Offset Current	$T_A = 25^\circ\text{C}$		2.0	5.0		2.0	20		2.0	35	nA
Input Bias Current	$T_A = 25^\circ\text{C}$		42	80		42	100		42	125	nA
Input Noise Voltage	$T_A = 25^\circ\text{C}$ $f_o = 10\text{ Hz}$ $f_o = 100\text{ Hz}$ $f_o = 1\text{ kHz}$					15			15		$\text{nV}/\sqrt{\text{Hz}}$ $\text{nV}/\sqrt{\text{Hz}}$ $\text{nV}/\sqrt{\text{Hz}}$
Input Noise Current	$T_A = 25^\circ\text{C}$ $f_o = 10\text{ Hz}$ $f_o = 100\text{ Hz}$ $f_o = 1\text{ kHz}$					1.0			1.0		$\text{pA}/\sqrt{\text{Hz}}$ $\text{pA}/\sqrt{\text{Hz}}$ $\text{pA}/\sqrt{\text{Hz}}$
Input Resistance	$T_A = 25^\circ\text{C}$			1.5		1.5			1.5		M Ω
Input Voltage Range	$T_A = 25^\circ\text{C}$	±13.5	±14		±13.5	±14		±13.5	±14		V
Large Signal Voltage Gain	$T_A = 25^\circ\text{C}$, $R_L \geq 2\text{ k}\Omega$, $V_{OUT} = \pm 10\text{V}$	1000	3000		1000	3000		250	3000		V/mV
Common-Mode Rejection Ratio	$T_A = 25^\circ\text{C}$, $R_S \leq 10\text{ k}\Omega$	120			110	120		94	120		dB
Power Supply Rejection Ratio	$T_A = 25^\circ\text{C}$, $R_S \leq 10\text{ k}\Omega$		2.0	5.0		2.0	10		2.0	35	$\mu\text{V}/\text{V}$
Output Voltage Swing	$T_A = 25^\circ\text{C}$, $R_L \geq 10\text{ k}\Omega$ $R_L \geq 2\text{ k}\Omega$	±12.5	±13.5		±12	±13.5		±12	±13.5		V V
Power Consumption	$T_A = 25^\circ\text{C}$		80	105		80	105		80	150	mW
Input Offset Voltage (Without External Trim)	$R_S \leq 10\text{ k}\Omega$			0.7			1.5			3.5	mV
Average Input Offset Voltage Drift (Without External Trim)	$R_S = 50\Omega$			2.0		2.0	5.0		2.0		$\mu\text{V}/^\circ\text{C}$
Average Input Offset Voltage Drift (With External Trim)	$R_S = 50\Omega$		0.6	1.0		0.6			0.6		$\mu\text{V}/^\circ\text{C}$
Input Offset Current	$T_A = T_{MAX}$ $T_A = T_{MIN}$		1.2	4.0		1.2	20		1.2	35	nA nA
Average Input Offset Current Drift			35	90		35	150		10		$\text{pA}/^\circ\text{C}$
Input Bias Current	$T_A = T_{MAX}$ $T_A = T_{MIN}$		20	70		20	100			125	nA nA
			80	180		80	200			250	

Electrical Characteristics (Note 4) (Continued)

Parameter	Conditions	LM725A			LM725			LM725C			Units
		Min	Typ	Max	Min	Typ	Max	Min	Typ	Max	
Large Signal Voltage Gain	$R_L \geq 2 \text{ k}\Omega$ $T_A = T_{MAX}$ $R_L \geq 2 \text{ k}\Omega$	1,000,000			1,000,000			125,000			V/V
	$T_A = T_{MIN}$	500,000			250,000			125,000			V/V
Common-Mode Rejection Ratio	$R_S \leq 10 \text{ k}\Omega$	110			100			115			dB
Power Supply Rejection Ratio	$R_S \leq 10 \text{ k}\Omega$	8.0			20			20			$\mu\text{V/V}$
Output Voltage Swing	$R_L \geq 2 \text{ k}\Omega$	± 12			± 10			± 10			V

Note 1: "Absolute Maximum Ratings" indicate limits beyond which damage to the device may occur. Operating Ratings indicate conditions for which the device is functional, but do not guarantee specific performance limits.

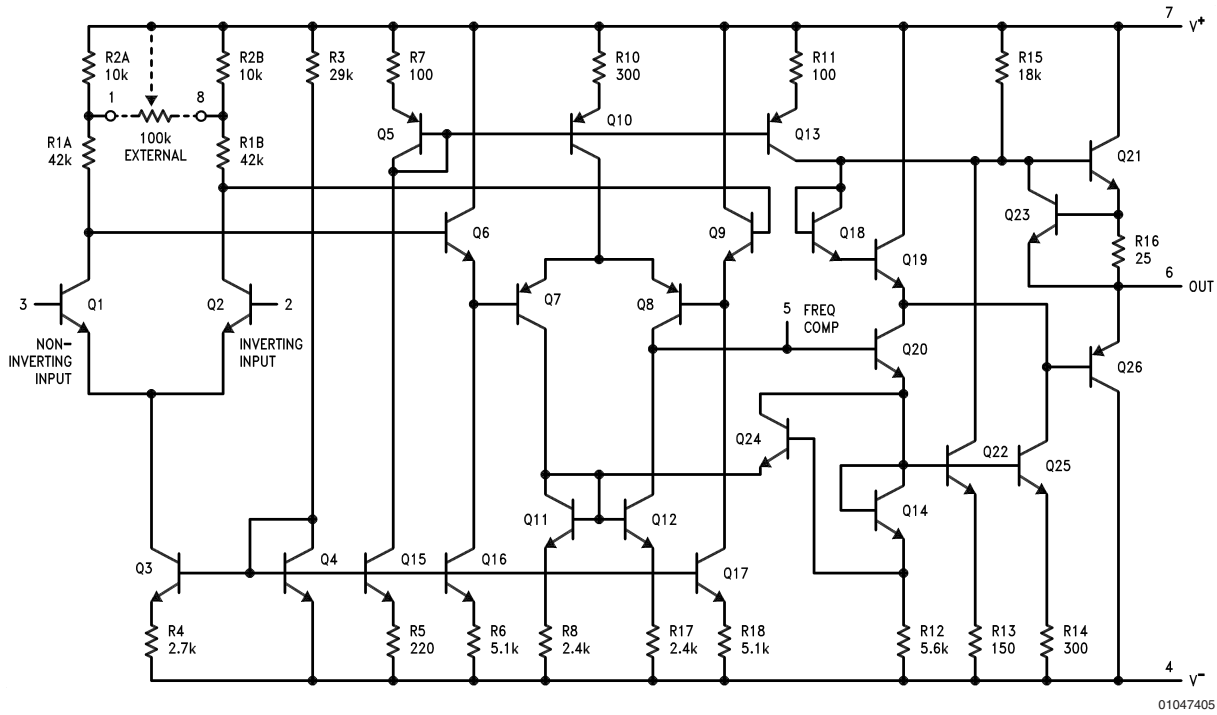
Note 2: Derate at 150°C/W for operation at ambient temperatures above 75°C.

Note 3: For supply voltages less than $\pm 22\text{V}$, the absolute maximum input voltage is equal to the supply voltage.

Note 4: These specifications apply for $V_S = \pm 15\text{V}$ unless otherwise specified.

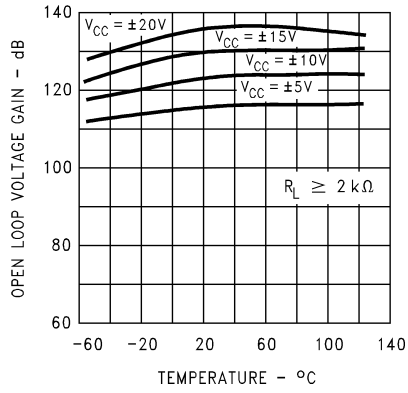
Note 5: For Military electrical specifications RETS725AX are available for LM725AH and RETS725X are available for LM725H.

Schematic Diagram



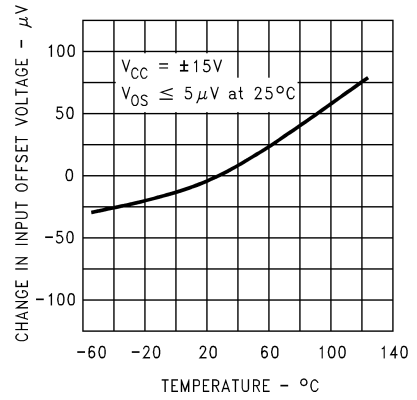
Typical Performance Characteristics

Voltage Gain vs Temperature for Supply Voltages



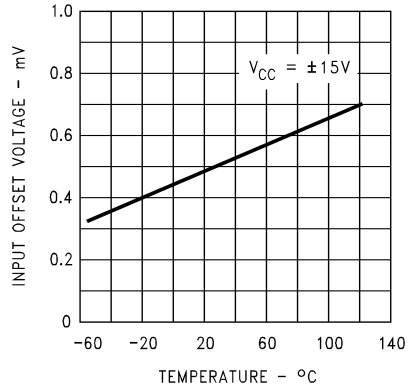
01047415

Change in Trimmed Input Offset Voltage vs Temperature



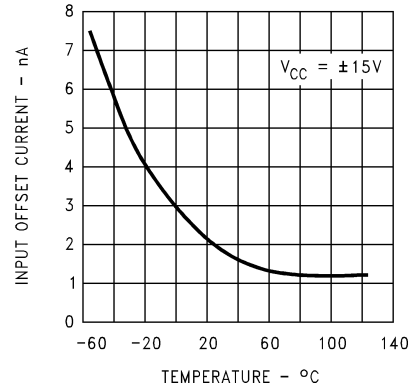
01047416

Untrimmed Input Offset Voltage vs Temperature



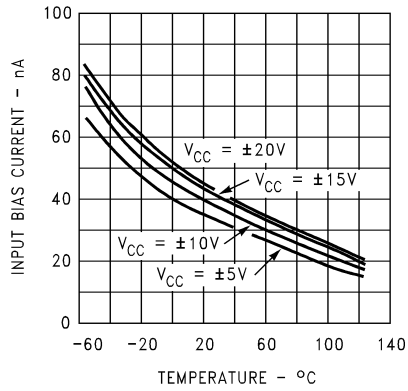
01047417

Input Offset Current vs Temperature



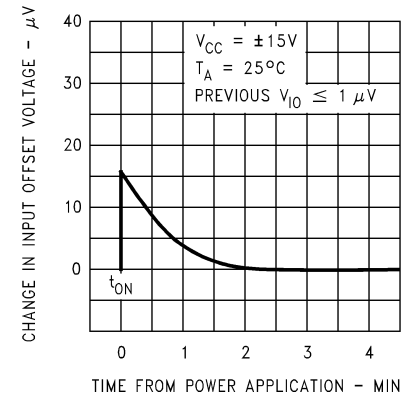
01047418

Input Bias Current vs Temperature



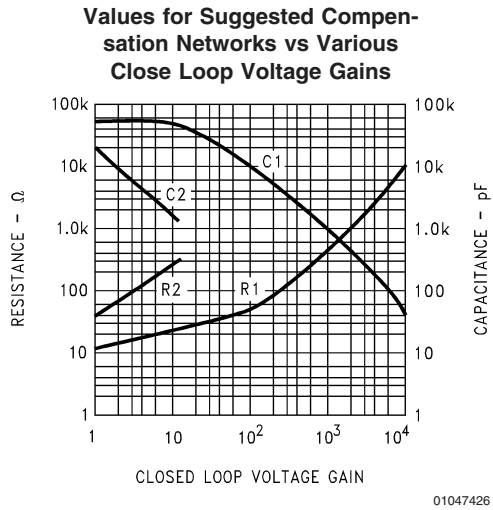
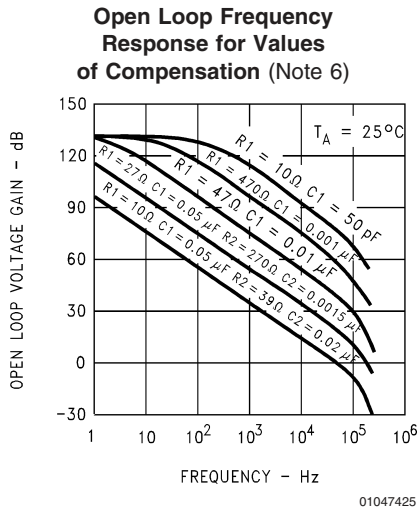
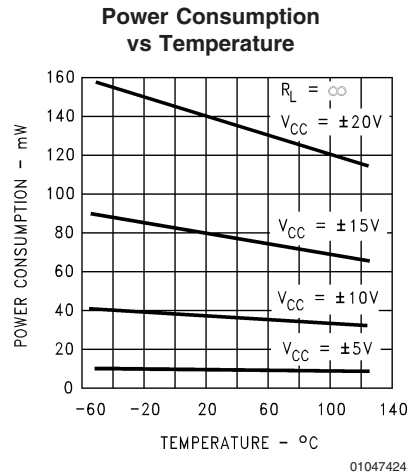
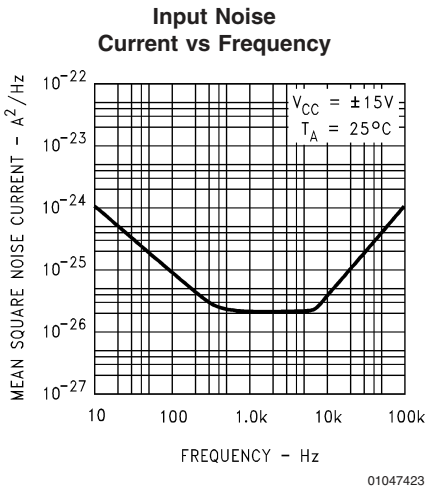
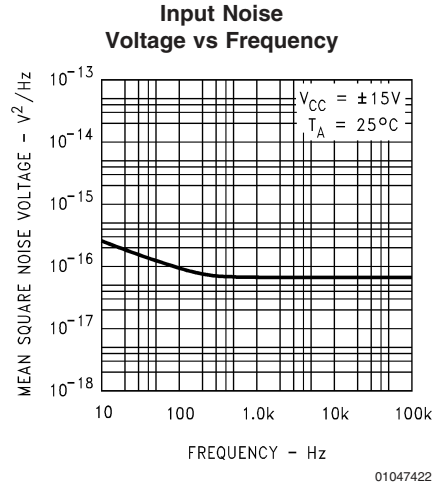
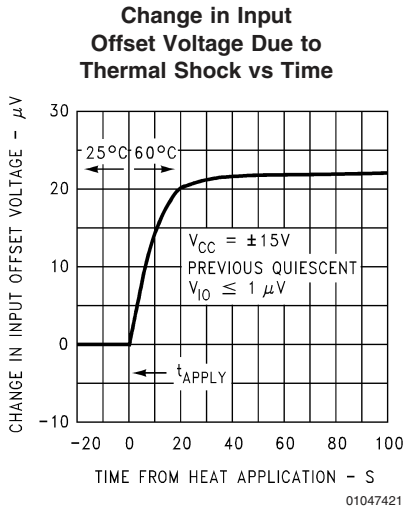
01047419

Stabilization Time of Input Offset Voltage from Power Turn-On



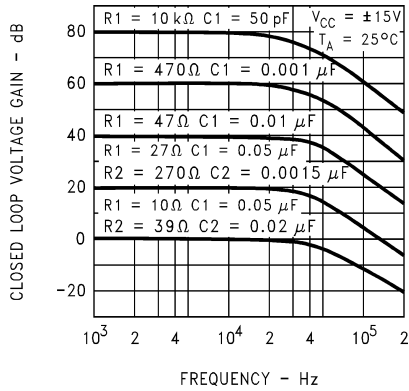
01047420

Typical Performance Characteristics (Continued)



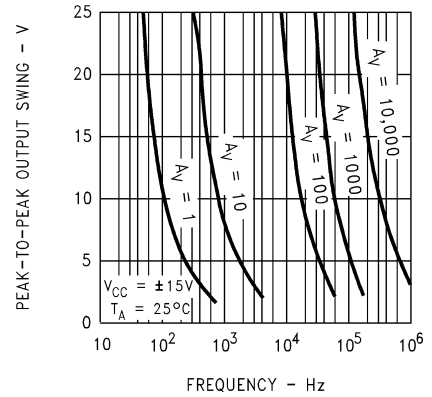
Typical Performance Characteristics (Continued)

Frequency Response for Various Close Loop Gain (Note 6)



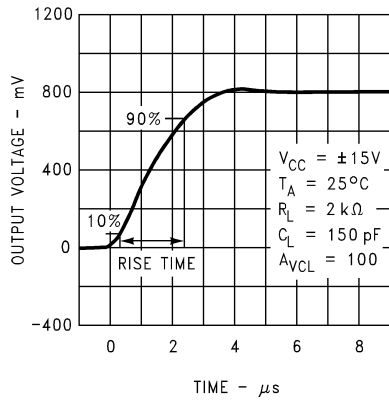
01047427

Output Voltage Swing vs Frequency (Note 6)



01047428

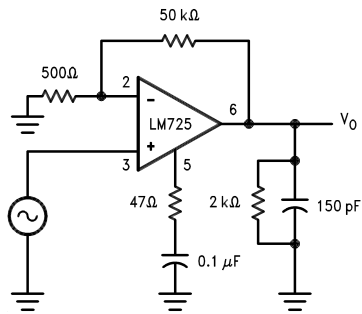
Transient Response



01047429

Note 6: Performance is shown using recommended compensation networks.

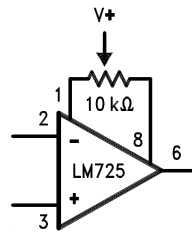
Transient Response Test Circuit



01047408

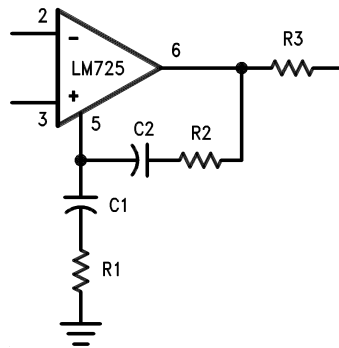
Auxiliary Circuits

Voltage Offset
Null Circuit



01047403

Frequency Compensation
Circuit



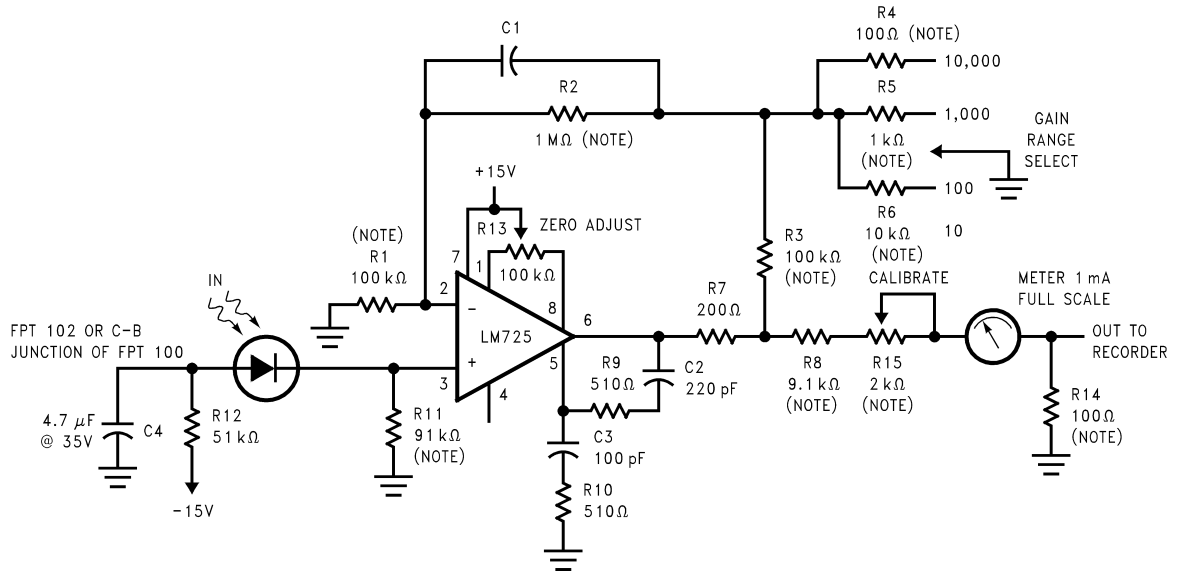
01047404

Compensation Component Values

A_v	R_1 (Ω)	C_1 (μF)	R_2 (Ω)	C_2 (μF)
10,000	10k	50 pF		
1,000	470	0.001		
100	47	0.01		
10	27	0.05	270	0.0015
1	10	0.05	39	0.02

Typical Applications

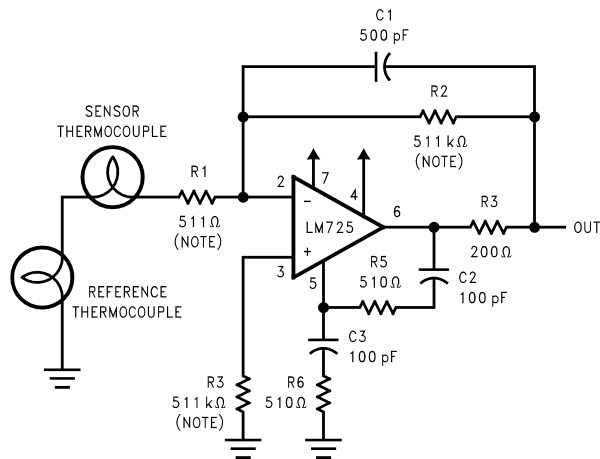
Photodiode Amplifier



DC Gains = 10,000; 1,000; 100; and 10
Bandwidth = Determined by value of C1

01047409

Thermocouple Amplifier



01047410

$$\frac{R2}{R5} = \frac{R6}{R7} \text{ for best CMR}$$

$$R1 = R4$$

$$R2 = R5$$

$$\text{Gain} = \frac{R6}{R2} + \left(\frac{2R1}{R3} \right)$$

$$\text{DC Gain} = 1000$$

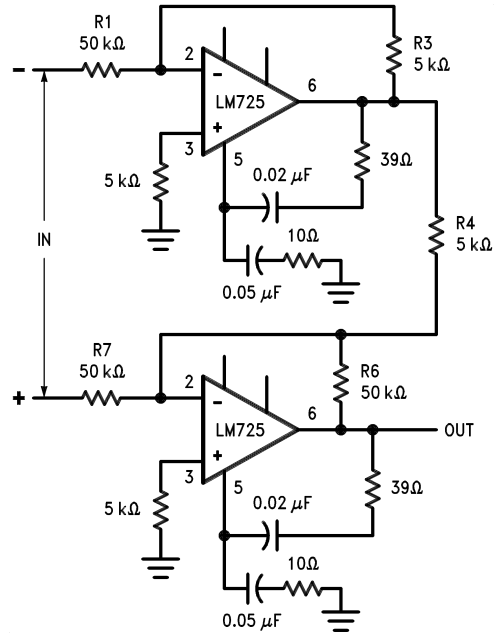
$$\text{Bandwidth} = \text{DC to } 540 \text{ Hz}$$

$$\text{Equivalent Input Noise} = 0.24 \mu\text{V}_{\text{rms}}$$

Note: Indicates $\pm 1\%$ metal film resistors recommended for temperature stability.

Typical Applications (Continued)

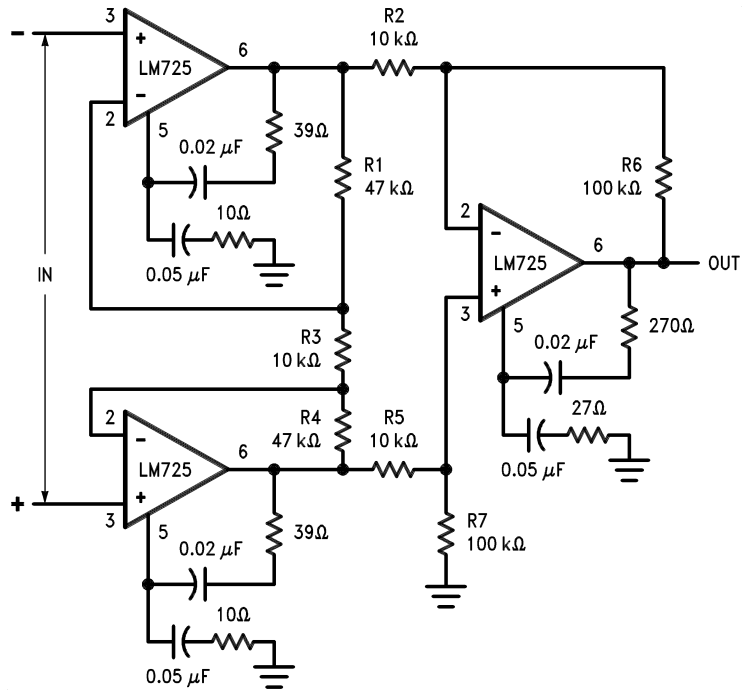
±100V Common Mode Range Differential Amplifier



01047411

Typical Applications (Continued)

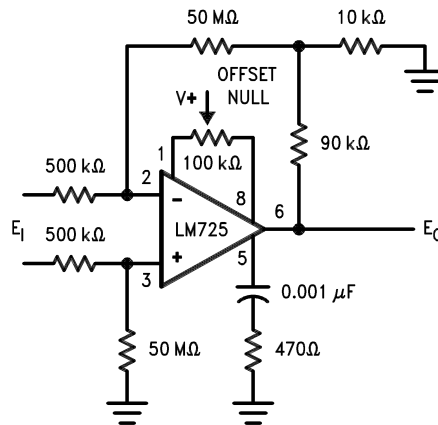
Instrumentation Amplifier with High Common Mode Rejection



01047412

$$\begin{aligned} \frac{R1}{R6} &= \frac{R3}{R4} \text{ for best CMRR} \\ R3 &= R4 \\ R1 = R6 &= 10 R3 \\ \text{Gain} &= \frac{R6}{R7} \end{aligned}$$

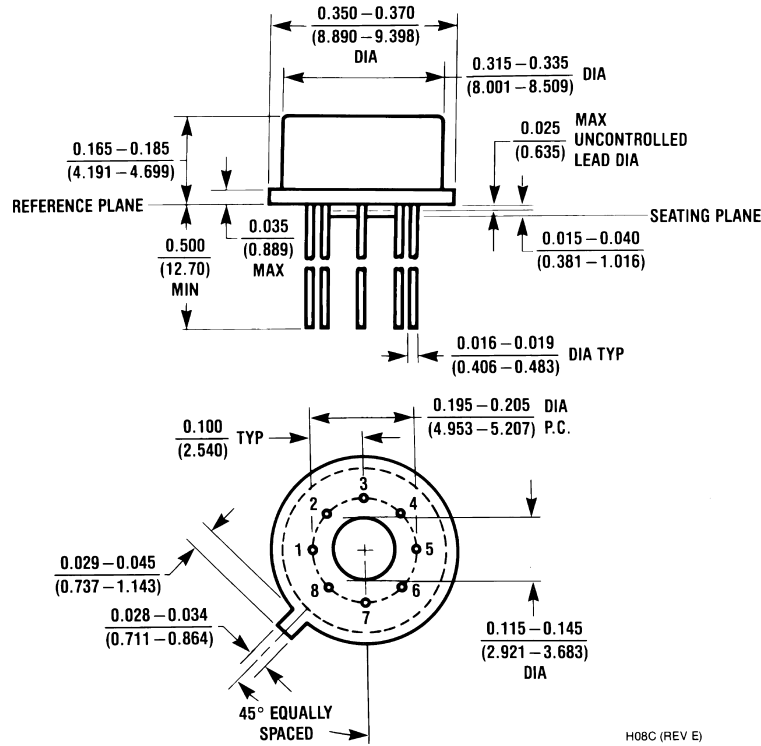
Precision Amplifier $A_{VCL} = 1000$



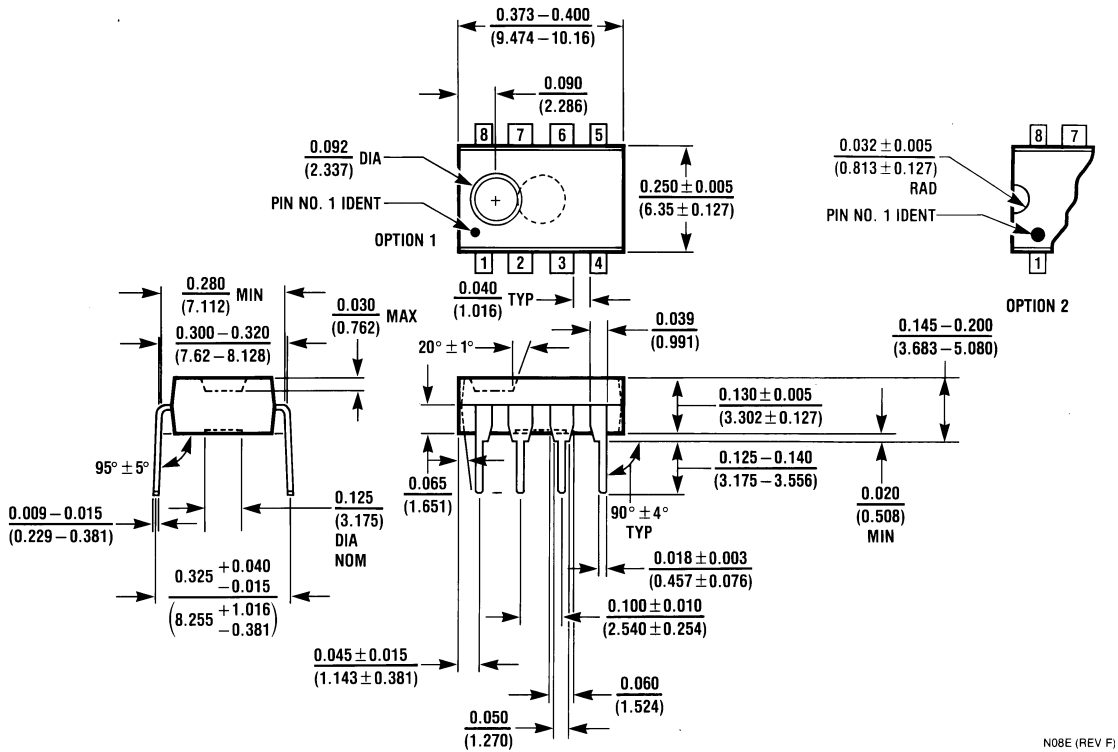
01047413

Physical Dimensions inches (millimeters)

unless otherwise noted



Order Number LM725H/883, LM725CH or LM725AH/883
 NS Package Number H08C



Order Number LM725CN
 NS Package Number N08E

Notes

National does not assume any responsibility for use of any circuitry described, no circuit patent licenses are implied and National reserves the right at any time without notice to change said circuitry and specifications.

For the most current product information visit us at www.national.com.

LIFE SUPPORT POLICY

NATIONAL'S PRODUCTS ARE NOT AUTHORIZED FOR USE AS CRITICAL COMPONENTS IN LIFE SUPPORT DEVICES OR SYSTEMS WITHOUT THE EXPRESS WRITTEN APPROVAL OF THE PRESIDENT AND GENERAL COUNSEL OF NATIONAL SEMICONDUCTOR CORPORATION. As used herein:

1. Life support devices or systems are devices or systems which, (a) are intended for surgical implant into the body, or (b) support or sustain life, and whose failure to perform when properly used in accordance with instructions for use provided in the labeling, can be reasonably expected to result in a significant injury to the user.
2. A critical component is any component of a life support device or system whose failure to perform can be reasonably expected to cause the failure of the life support device or system, or to affect its safety or effectiveness.

BANNED SUBSTANCE COMPLIANCE

National Semiconductor certifies that the products and packing materials meet the provisions of the Customer Products Stewardship Specification (CSP-9-111C2) and the Banned Substances and Materials of Interest Specification (CSP-9-111S2) and contain no "Banned Substances" as defined in CSP-9-111S2.



National Semiconductor
Americas Customer
Support Center
 Email: new.feedback@nsc.com
 Tel: 1-800-272-9959

www.national.com

National Semiconductor
Europe Customer Support Center
 Fax: +49 (0) 180-530 85 86
 Email: europe.support@nsc.com
 Deutsch Tel: +49 (0) 69 9508 6208
 English Tel: +44 (0) 870 24 0 2171
 Français Tel: +33 (0) 1 41 91 8790

National Semiconductor
Asia Pacific Customer
Support Center
 Email: ap.support@nsc.com

National Semiconductor
Japan Customer Support Center
 Fax: 81-3-5639-7507
 Email: jpn.feedback@nsc.com
 Tel: 81-3-5639-7560