

Fax Back Document #1404

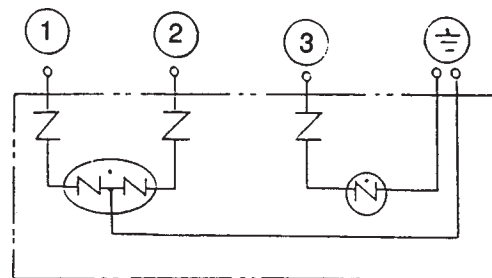
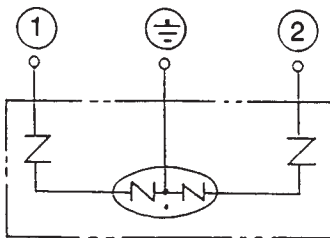
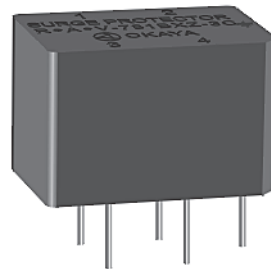
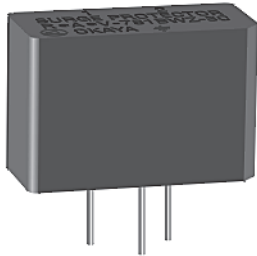
• **RAV-BWZ-3C:**

Designed specifically for use in AC power line applications. This model uses specially treated discharge electrodes for greatly enhanced noise immunity test and surge life making it optimum for the protection of single-phase power supply circuits.

Safety Agency : Standard		File No.
UL	: UL1449	E43446
CSA	: C22.2, No. 8 M1986	LR100413

• **RAV-BXZ-3C:**

This model is designed for use in three phase power circuit applications. Combining multiple RAVs with specially treated electrodes for greatly enhanced noise immunity test and surge life, this model is constructed in a unit-molded body.

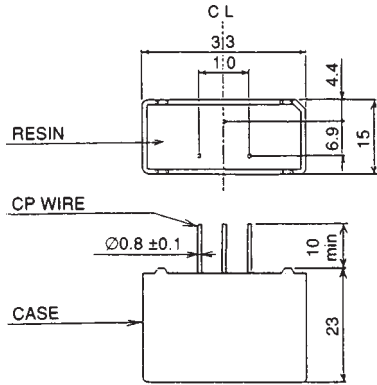


ELECTRICAL SPECIFICATIONS

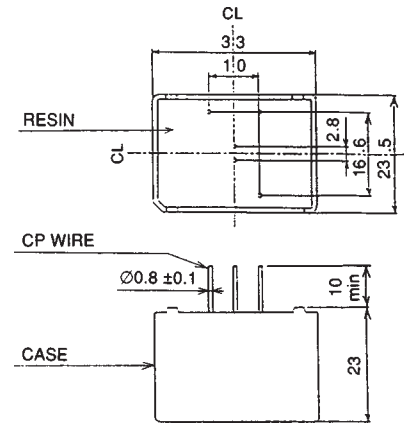
Model No.	Clamp* Voltage V1.0 ± 10%	Peak Surge Current 8/20µs (A)	Peak Surge Voltage 1.2/50µs (V)	Response Time (ns)	Capacitance (PF) Max.)	Max. Line Voltage (Vrms)	Weight (g)	Operating Temp. Range (C)
RAV-401BWZ-3C	403	2500	20K	50	100	145	20	-20° to + 70°
RAV-781BWZ-3C	783				50	300		
RAV-781BXZ-3C	783				30			

* Equivalent Varistor Voltage @ 1MA

• **BWZ-3C**



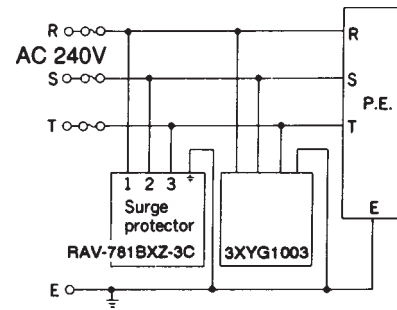
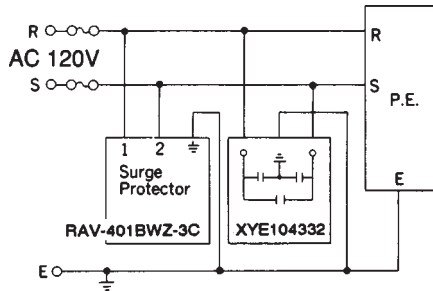
• **BXZ-3C**



• **Use of Surge Protectors:**

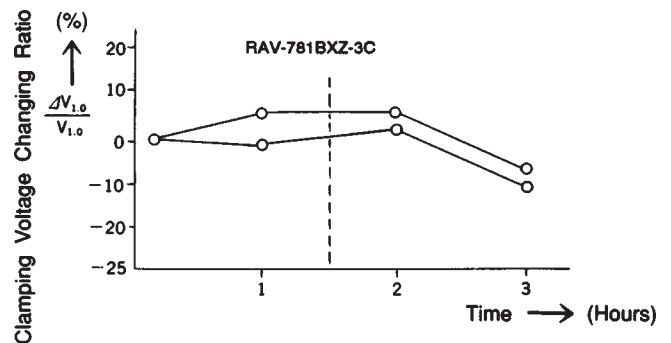
Okaya Surge protectors in combination with Okaya XYE series filter capacitors offer superb lightning surge suppression. Capacitor XYE-104332 will equalize excessive currents aiding the surge protector in absorbing the lightning surge. This parts combination is equally effective against severe noise.

Surge protectors can be connected to protect machines using 208/240VAC 3-phase power supplies. The combination of the 3XYG series of high pulse capacitors with the RAV-781BXZ-3C surge protector, is an effective countermeasure against excessive surge and noise.



• **Noise Margin Test:**

Noise margin testing usually requires the physical disconnection of lightning surge protection components. Such disconnection often is difficult, and time consuming. Okaya's RAV-BWZ-3C and BXZ-3C series allows noise margin testing without any such disconnection as they are designed to withstand the rigors of testing.



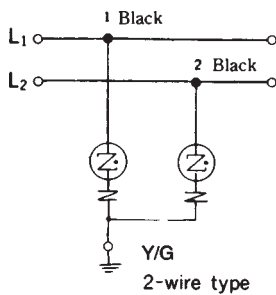
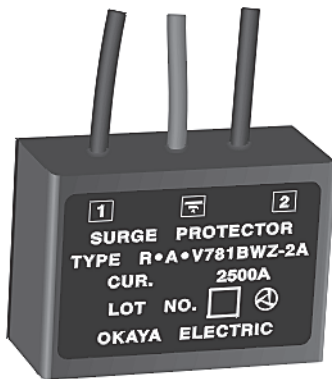
Model Number	RAV-401BWZ-3C	RAV-781BWZ-3C	RAV-781BXZ-3C
Power source	Single-phase 135VAC 50/60Hz	Single-phase 270VAC 50/60Hz	3-wire 270VAC 50/60Hz
Impulse width	1us	1us	1us
Impulse voltage (+,-)	2kV	2kV	2kV
Applied period (Hours)	1.5Hrs Max.	1.5Hrs Max.	1.5Hrs Max.

Impulse Test Condition

Fax Back Document #1404

• **RAV-BWZ-2A:**

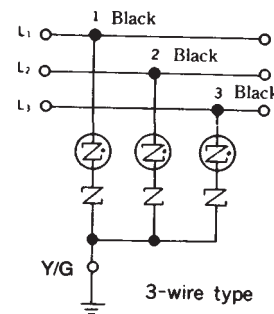
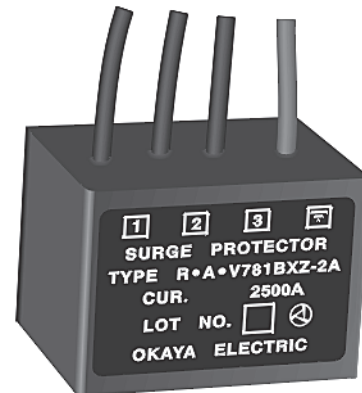
Designed specifically for use in AC power line applications. This model uses specially treated discharge electrodes for greatly enhanced noise immunity test and surge life making it optimum for the protection of single-phase power supply circuits.



Safety Agency : Standard	File No.
UL : UL1449	E143446
CSA : C22.2, No. 8, M1986	LR 105073

• **RAV-BXZ-2A:**

This model is designed for use in three phase power circuit applications. Combining multiple RAVs with specially treated electrodes for greatly enhanced noise immunity test and surge life, this model is constructed in a unit-molded body.

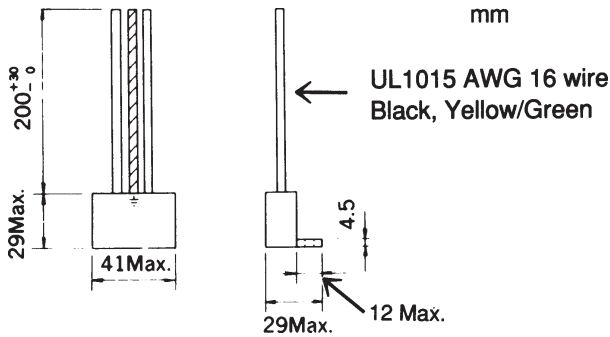


ELECTRICAL SPECIFICATIONS

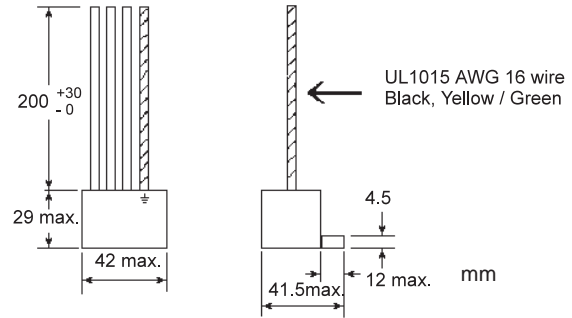
Model No.	Clamp* Voltage V1.0 ± 10%	Peak Surge Current 8/20µs (A)	Peak Surge Voltage 1.2/50µs (V)	Response Time (ns)	Capacitance (PF) Max.)	Max. Line Voltage (Vrms)	Weight (g)	Operating Temp. Range (C)
RAV-401BWZ-2A	403	2500	20K	50	100	145	60	-20° to + 70°
RAV-781BWZ-2A	783				50	300		
RAV-781BXZ-2A	783					300	100	

* Equivalent Varistor Voltage @ 1MA

• **BWZ-2A**



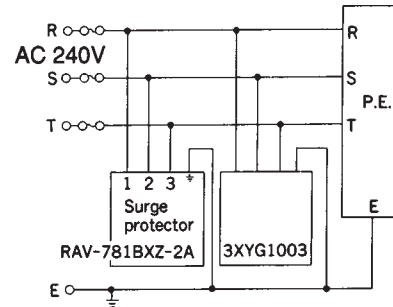
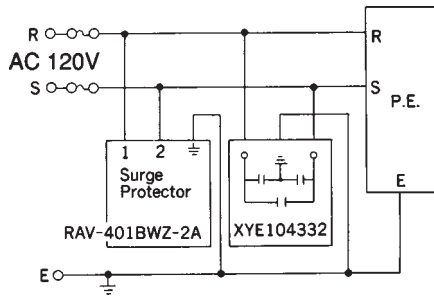
• **BXZ-2A**



• **Use of Surge Protectors:**

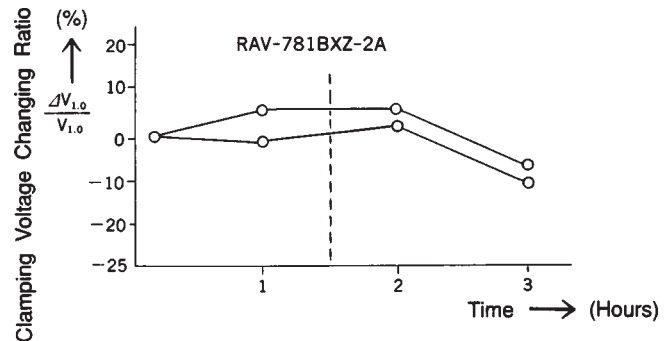
Okaya Surge protectors in combination with Okaya XYE series filter capacitors offer superb lightning surge suppression. Capacitor XYE-104332 will equalize excessive currents aiding the surge protector in absorbing the lightning surge. This parts combination is equally effective against severe noise.

Surge protectors can be connected to protect machines using 208/240VAC 3-phase power supplies. The combination of the 3XYG series of high pulse capacitors with the RAV-781BXZ-2A surge protector, is an effective countermeasure against excessive surge and noise.



• **Noise Margin Test:**

Noise margin testing usually requires the physical disconnection of lightning surge protection components. Such disconnection often is difficult, and time consuming. Okaya's RAV-BWZ-2A and BXZ-2A series allow noise margin testing without any such disconnection as they are designed to withstand the rigors of testing.



Model Number	RAV-401BWZ-2A	RAV-781BWZ-2A	RAV-781BXZ-2A
Power source	Single-phase 135VAC 50//60Hz	Single-phase 270VAC 50//60Hz	3-wire 270VAC 50/60Hz
Impulse width	1us	1us	1us
Impulse voltage (+,-)	2kV	2kV	2kV
Applied period (Hours)	1.5Hrs Max.	1.5Hrs Max.	1.5Hrs Max.

Impulse Condition