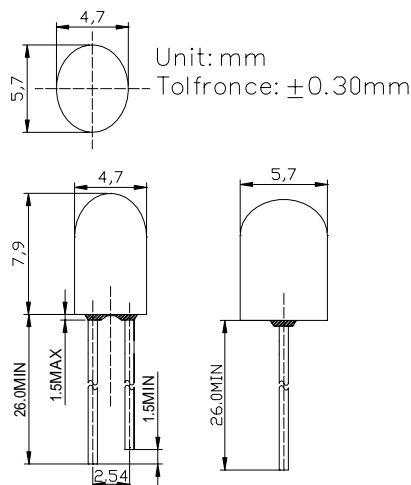


**■Features**

- High Luminous Output
- Vertical Oval Directivity
- Superior Weather-resistance
- Color Transparent Type
- RoHS Compliant

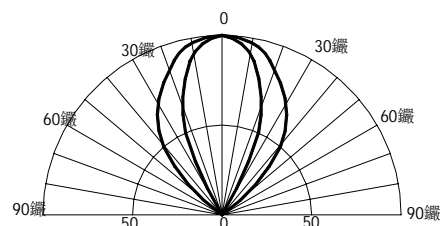
**■Applications**

- Automotive Dashboard Lighting
- Commercial Outdoor Signs
- Back Lighting

**■Outline Dimension**

**■Absolute Maximum Rating (Ta=25 °C)**

Item	Symbol	Value	Unit
DC Forward Current	$I_F$	50	mA
Pulse Forward Current*	$I_{FP}$	150	mA
Reverse Voltage	$V_R$	5	V
Power Dissipation	$P_D$	200	mW
Operating Temperature	$T_{opr}$	-30 ~ +85	
Storage Temperature	$T_{stg}$	-30 ~ +100	
Lead Soldering Temperature	$T_{sol}$	260 /5sec	-

\*Pulse width Max.10ms Duty ratio max 1/10

**■Directivity**

**■Electrical -Optical Characteristics (Ta=25 °C)**

Item	Symbol	Condition	Min.	Typ.	Max.	Unit
DC Forward Voltage	$V_F$	$I_F=20\text{mA}$	1.8	2.0	2.4	V
DC Reverse Current	$I_R$	$V_R=5\text{V}$	-	-	10	$\mu\text{A}$
Dom. Wavelength	$\lambda_D$	$I_F=20\text{mA}$	620	625	630	nm
Luminous Intensity	$I_v$	$I_F=20\text{mA}$	750	1120	1560	mcd
50% Power Angle	$2\theta_{1/2}$	$I_F=20\text{mA}$	-	40/70	-	deg

**LED & Application Technologies**