

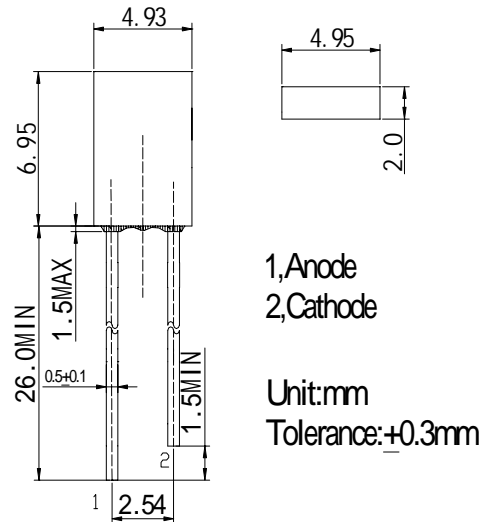
### ■Features

- Green Diffused Type
- 5mm Standard Directivity
- Superior Weather-resistance
- RoHS Compliant

### ■Applications

- Toys
- Games
- Audio
- Christmas Light

### ■Outline Dimension



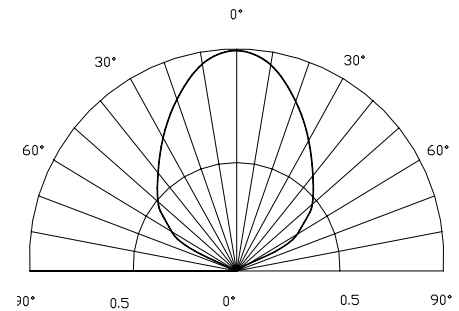
### ■Absolute Maximum Rating

( $T_a=25^\circ\text{C}$ )

Item	Symbol	Value	Unit
DC Forward Current	$I_F$	50	mA
Pulse Forward Current*	$I_{FP}$	150	mA
Reverse Voltage	$V_R$	5	V
Power Dissipation	$P_D$	200	mW
Operating Temperature	$T_{opr}$	-30 ~ +85	
Storage Temperature	$T_{stg}$	-30 ~ +100	
Lead Soldering Temperature	$T_{sol}$	260 /5sec	-

\*Pulse width Max.10ms Duty ratio max 1/10

### ■Directivity



### ■Electrical -Optical Characteristics

( $T_a=25^\circ\text{C}$ )

Item	Symbol	Condition	Min	Typ	Max	Unit
DC Forward Voltage	$V_F$	$I_F=20\text{mA}$	1.8	2.0	2.4	V
DC Reverse Current	$I_R$	$V_R=5\text{V}$	-	-	10	$\mu\text{A}$
Domi. Wavelength	$\lambda_D$	$I_F=20\text{mA}$	565	570	575	nm
Luminous Intensity	$I_v$	$I_F=20\text{mA}$	20	30	45	mcd
50% Power Angle	$2\theta_{1/2}$	$I_F=20\text{mA}$	-	100	-	deg

## LED & Application Technologies