

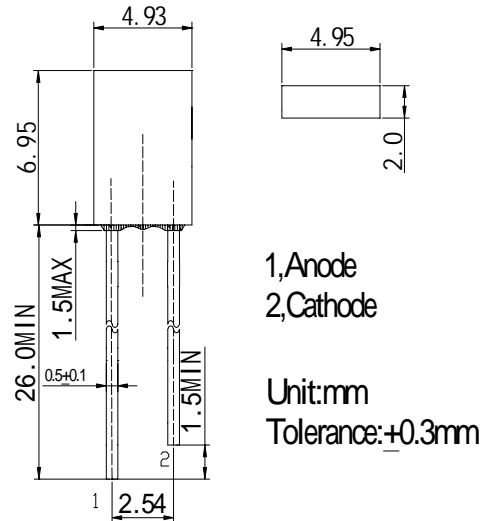
### ■Features

- High Power LEDs
- 2x5x7mm Standard Directivity
- Superior Weather-resistance
- Water Clear Type

### ■Applications

- Automotive Dashboard Lighting
- Back Lighting
- Consumer Products

### ■Outline Dimension



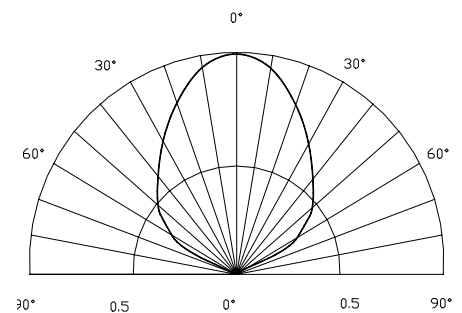
### ■Absolute Maximum Rating

(Ta=25 °C)

Item	Symbol	Value	Unit
DC Forward Current	$I_F$	50	mA
Pulse Forward Current*	$I_{FP}$	120	mA
Reverse Voltage	$V_R$	5	V
Power Dissipation	$P_D$	120	mW
Operating Temperature	$T_{opr}$	-30 ~ +85	
Storage Temperature	$T_{stg}$	-40 ~ +100	
Lead Soldering Temperature	$T_{sol}$	260 / 5sec	-

\*Pulse width Max.10ms Duty ratio max 1/10

### ■Directivity



### ■Electrical -Optical Characteristics

(Ta=25 °C)

Item	Symbol	Condition	Min.	Typ.	Max.	Unit
DC Forward Voltage	$V_F$	$I_F=20mA$	1.8	2.0	2.4	V
DC Reverse Current	$I_R$	$V_R=5V$	-	-	10	$\mu A$
Peak Wavelength	$\lambda_D$	$I_F=20mA$	620	625	630	nm
Luminous Intensity	$I_v$	$I_F=20mA$	750	1120	1560	mcd
50% Power Angle	$2\theta_{1/2}$	$I_F=20mA$	-	100	-	deg