

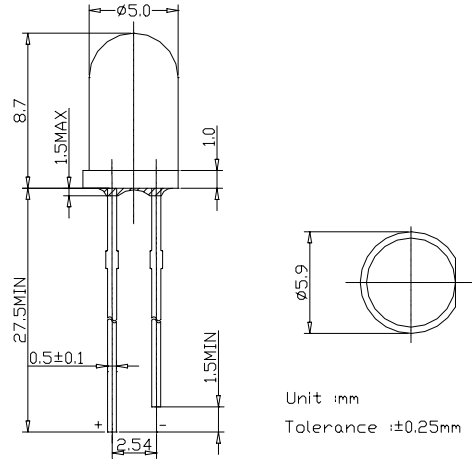
### ■Features

- High Bright LEDs
- 5mm Standard Directivity
- Superior Weather-resistance
- UV Resistant Epoxy
- White Diffused Type

### ■Applications

- Automotive Dashboard Lighting
- Back Lighting
- Outdoor Lighting Applications

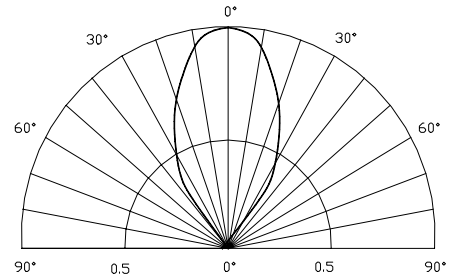
### ■Outline Dimension



### ■Absolute Maximum Rating (Ta=25 °C)

Item	Symbol	Value	Unit
DC Forward Current	$I_F$	30	mA
Pulse Forward Current*	$I_{FP}$	100	mA
Reverse Voltage	$V_R$	5	V
Power Dissipation	$P_D$	120	mW
Operating Temperature	$T_{opr}$	-30~ +85	
Storage Temperature	$T_{stg}$	-40~ +100	
Lead Soldering Temperature	$T_{sol}$	260 /5sec	-

### ■Directivity



\*Pulse width Max.10ms Duty ratio max 1/10

### ■Electrical -Optical Characteristics (Ta=25 °C)

Item	Symbol	Condition	Min.	Typ.	Max.	Unit
DC Forward Voltage	$V_F$	$I_F=20mA$	2.8	3.3	3.8	V
DC Reverse Current	$I_R$	$V_R=5V$	-	-	10	$\mu A$
Luminous Intensity	$I_v$	$I_F=20mA$	1560	2180	3000	mcd
Chromaticity Coordinate*	x	$I_F=20mA$	0.26	0.31	0.36	
	y	$I_F=20mA$	0.24	0.30	0.34	
50% Power Angle	$2\theta_{1/2}$	$I_F=20mA$	-	60	-	deg