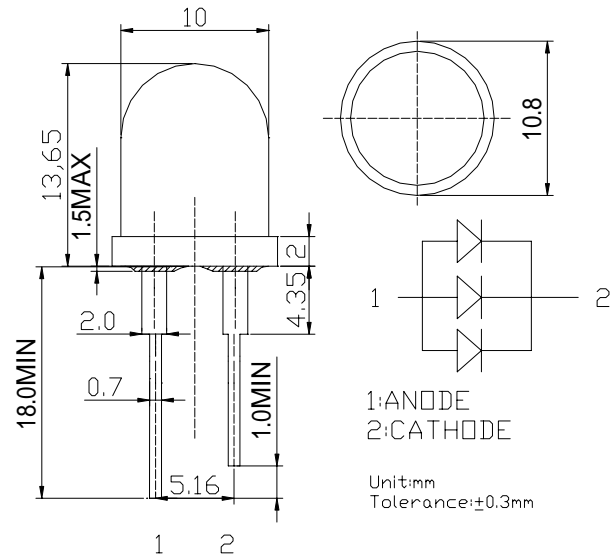


**■Features**

- High Power LEDs
- 10mm Standard Directivity
- Superior Weather-resistance
- UV Resistant Epoxy
- RoHS compliant

**■Applications**

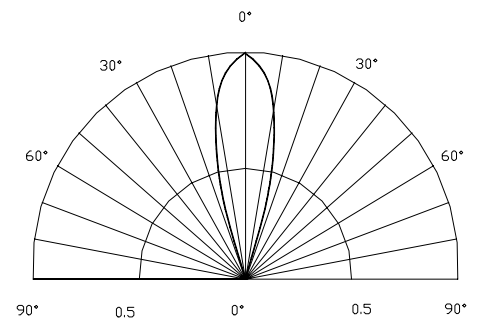
- General Purpose Indicators
- Small Area Illuminations
- Back Lighting

**■Outline Dimension**

**■Absolute Maximum Rating**

(Ta=25 )

Item	Symbol	Value	Unit
DC Forward Current	$I_F$	30	mA
Pulse Forward Current*	$I_{FP}$	100	mA
Reverse Voltage	$V_R$	5	V
Power Dissipation	$P_D$	120	mW
Operating Temperature	$T_{opr}$	-30 ~ +80	
Storage Temperature	$T_{stg}$	-30 ~ +100	
Lead Soldering Temperature	$T_{sol}$	260 /3sec	-

\*Pulse width Max.10ms Duty ratio max 1/10

**■Directivity**

**■Electrical -Optical Characteristics**

(Ta=25 )

Item	Symbol	Condition	Min.	Typ.	Max.	Unit
DC Forward Voltage	$V_F$	$I_F=100mA$	2.8	3.4	4.2	V
DC Reverse Current	$I_R$	$V_R=5V$	-	-	10	$\mu A$
Luminous Intensity	$I_v$	$I_F=100mA$	12000	16000	18000	mcd
Chromaticity Coordinate*	x	$I_F=100mA$	0.27	0.31	0.33	
	y	$I_F=100mA$	0.26	0.30	0.32	
50% Power Angle	$2\theta_{1/2}$	$I_F=100mA$	-	30	-	deg

\*Please refer to CIE 1931 chromaticity diagram.