

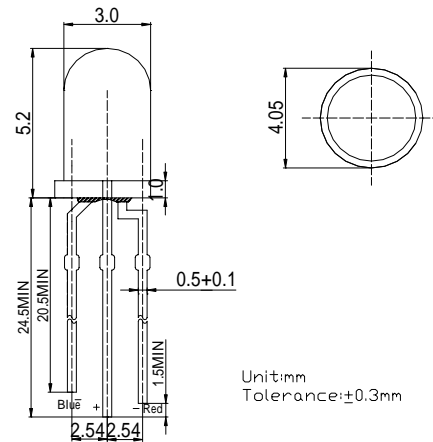
### ■Features

- High Luminous Output
- 3mm Standard Directivity
- Superior Weather-resistance
- Water Clear Type
- Common Anode

### ■Applications

- Toys
- Games
- Audio

### ■Outline Dimension

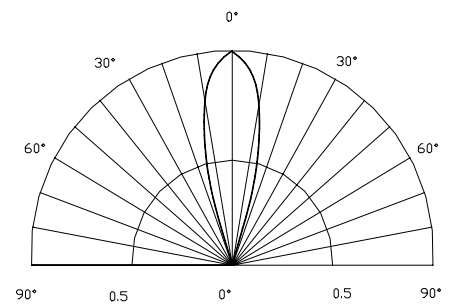


### ■Absolute Maximum Rating

(Ta=25 )

Item	Symbol	Value		Unit
		Red	P.Green	
DC Forward Current	$I_F$	50	30	mA
Pulse Forward Current*	$I_{FP}$	120	100	mA
Reverse Voltage	$V_R$	5	5	V
Power Dissipation	$P_D$	120	120	mW
Operating Temperature	$T_{opr}$	-30 ~ +85		
Storage Temperature	$T_{stg}$	-40 ~ +100		
Lead Soldering Temperature	$T_{sol}$	260 /5sec		-

### ■Directivity



\*Pulse width Max.10ms Duty ratio max 1/10

### ■Electrical -Optical Characteristics

(Ta=25 )

Item	Symbol	Condition	Min.	Typ.	Max.	Unit
DC Forward Voltage	$V_F(\text{Red})$	$I_F=20\text{mA}$	1.8	2.0	2.4	V
DC Forward Voltage	$V_F(\text{Green})$	$I_F=20\text{mA}$	2.8	3.3	3.8	V
DC Reverse Current	$I_R$	$V_R=5\text{V}$	-	-	10	$\mu\text{A}$
Domi. Wavelength	$\lambda_D(\text{Red})$	$I_F=20\text{mA}$	620	625	630	nm
	$\lambda_D(\text{Green})$	$I_F=20\text{mA}$	520	525	530	nm
Luminous Intensity	$I_V(\text{Red})$	$I_F=20\text{mA}$	2180	3000	4200	mcd
	$I_V(\text{Green})$	$I_F=20\text{mA}$	3000	4200	5800	mcd
50% Power Angle	$2\theta_{1/2}$	$I_F=20\text{mA}$	-	30	-	deg