

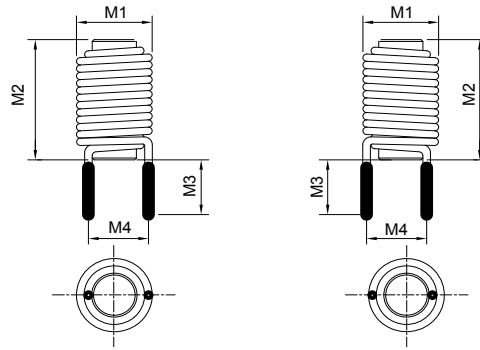
# CPxxxxRM Series

## ■ Wire Wound Line Choke

### MECHANICAL DIMENSIONS



CPxxxxRM



unit: mm

### ELECTRICAL SPECIFICATION

Part Number	Inductance (μH)	Test Freq.	DCR (mΩ) Max.	M1 Max.	M2 Ref.	M3 Ref.	M4 Ref.
CP0610RM-R33□H△	0.33	1 KHz	4.00	6.00	10.0	5.00	7.00
CP1016RM-R40□H△	0.40	1 KHz	10.0	10.0	16.0	10.0	10.5
CP0920RM-R70□H△	0.70	1 KHz	10.0	9.00	20.0	5.00	12.0
CP1120RM-1R0□H△	1.00	1 KHz	10.0	11.0	20.0	15.0	7.50
CP0916RM-1R5□H△	1.50	1 KHz	8.00	9.00	16.0	5.00	7.50
CP1120RM-2R2□H△	2.20	1 KHz	13.0	11.0	20.0	15.0	7.50
CP0720RM-2R5□H△	2.50	1 KHz	6.00	7.40	20.0	5.00	9.00
CP0819RM-3R0□H△	3.00	1 KHz	10.0	8.00	19.0	5.00	10.0
CP1120RM-4R7□H△	4.70	1 KHz	20.0	11.0	20.0	15.0	7.50
CP1325RM-5R3□H△	5.30	1 KHz	5.50	13.2	24.9	3.80	10.7
CP1224RM-6R2□H△	6.20	1 KHz	15.0	12.0	24.0	4.00	8.50
CP1225RM-100□H△	10.0	1 KHz	25.0	12.0	25.0	4.00	8.70
CP1112RM-150□H△	15.0	1 KHz	70.0	11.0	12.0	5.00	10.5
CP1233RM-570□H△	57.0	1 KHz	60.0	12.0	33.0	13.0	12.5
CP1232RM-600□H△	60.0	1 KHz	60.0	12.0	31.8	28.0	12.5

- Tolerance: K=±10% ; L=±15% ; M=±20%
- Test condition: 1KHz / 1 V
- Inductance measured using the HP4284A ; Chroma 3302+1320
- DCR measured using the 16502 milli-ohm meter
- Storage Temperature Range: -40°C to +85°C
- Operating Temperature Range: -40°C to +105°C (Including self-generated heat)
- △ : Internal Code

SMD

Leaded