

# SPECIFICATION FOR APPROVAL

CUSTOMER	ROPLA
CUST. PART NO.	CSS124P-XXXX-LRH
CUST. DOC. REV.	
DESCRIPTION	SMD POWER CHOKE(RoHS+H.F.)
SAMPLE LOT NO.	S201907-0086
PART NO.	CSS124P-XXXX-LRH
DOC. REV.	ORIG
DATE	2019/7/17

Once you approve this part, please sign and return this page to the following marked location.

**Customer Signature:** \_\_\_\_\_ **Date:** \_\_\_\_\_

This part currently development section.

Production line can produce this series of products.

Sales Office-Headquarter

No. 566-1, Kao-Shi Rd., Yangmei, Taoyuan 32668,  
Taiwan  
TEL: +886-3-475-3355  
FAX: +886-3-485-4959

Yong Zhou Plant

Tao-Yuan Rd., Fenghuang Park, Lengshuitan  
District, Yongzhou, Hunan 425000, P.R.C.  
TEL: +86-746-8610-180  
FAX: +86-746-8610-181

Sales Office-Dong Guan,China

No.638,Mei Jing West Road Xiniupo Administrative  
Zone Dalang Town,Dong Guan City,GuangDong  
Province,China.  
TEL: +86-769-8555-0979  
FAX: +86-769-8555-0972

TESTED BY	CHECKED BY	APPROVED BY
Jenny Tseng	Tieqiao Gong	Shengjun Zhou

# TABLE OF CONTENTS

<b>INDEX</b>	<b>Page</b>
■ <b>Engineering Change Notice – Record</b> .....	<b>2</b>
■ <b>Part Number Identification</b> .....	<b>3</b>
■ <b>Mechanical Dimension</b> .....	<b>3</b>
■ <b>Electrical Spec.</b> .....	<b>4</b>
■ <b>Material List</b> .....	<b>5</b>
■ <b>Reliability Performance</b> .....	<b>6</b>
■ <b>Reflow Chart</b> .....	<b>7</b>
■ <b>Package form</b> .....	<b>8 ~ 9</b>
■ <b>Test Report</b> .....	

# SPECIFICATION FOR APPROVAL

<b>CUSTOMER</b> <b>ROPLA</b>	<b>CUSTOMER P/N</b> <b>CSS124P-XXXX-LRH</b>	<b>REV.</b> <b>-</b>	<b>SPL. LOT NO.</b> <b>S201907-0086</b>	
<b>PART NAME</b> <b>SMD POWER CHOKE (RoHS+H.F.)</b>	<b>PART NO.</b> <b>CSS124P-XXXX-LRH</b>	<b>REV.</b> <b>ORIG</b>	<b>DATE OF ISSUE</b> <b>2019/7/17</b>	<b>Q'TY</b> <b>0 PCS</b>

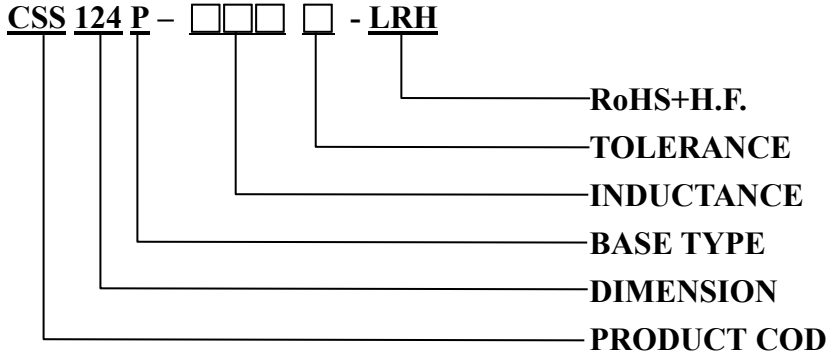
## ENGINEERING CHANGE NOTICE – RECORD

REVISION NO.	REVISION DESCRIPTION	AUTHOR	DATE	REMARK
<b>ORIG</b>		<i>Tieqiao Gong</i>	<b>2019/7/17</b>	

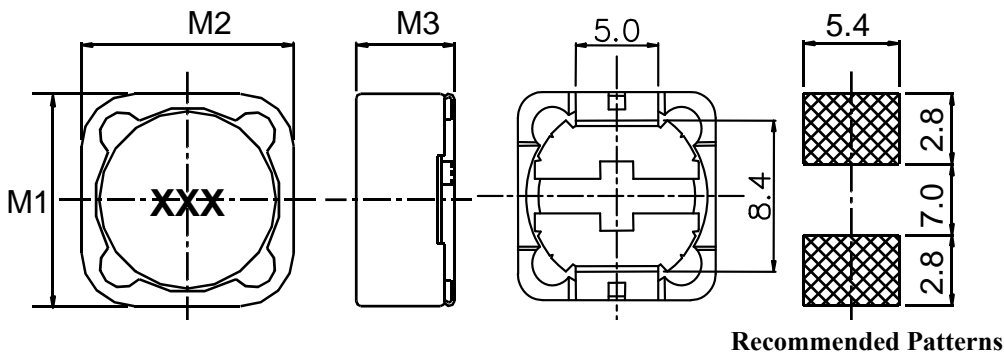
# SPECIFICATION FOR APPROVAL

※This is a RoHS and REACH compliant product whose related documents are available on request.  
 ※Graphic is only for dimensionally application.

## 1. PART NUMBER IDENTIFICATION



## 2. MECHANICAL DIMENSION



UNIT: mm

	DIM.	TOL.
M1	12.0	±0.3
M2	12.0	±0.3
M3	4.8	MAX.

# SPECIFICATION FOR APPROVAL

## 3. ELECTRICAL

PART NO.	MARKING	Inductance (uH)	TEST FREQ. (KHz)	DCR (mΩ) Max.	Rated Current (A)
CSS124P-3R9M-LRH	3R9	3.9	100	15	6.50
CSS124P-4R7M-LRH	4R7	4.7	100	18	5.70
CSS124P-6R8M-LRH	6R8	6.8	100	23	4.90
CSS124P-8R2M-LRH	8R2	8.2	100	26	4.60
CSS124P-100M-LRH	100	10	100	28	4.50
CSS124P-120M-LRH	120	12	100	38	4.00
CSS124P-150M-LRH	150	15	100	50	3.20
CSS124P-180M-LRH	180	18	100	57	3.10
CSS124P-220M-LRH	220	22	100	66	2.90
CSS124P-270M-LRH	270	27	100	80	2.80
CSS124P-330M-LRH	330	33	100	97	2.70
CSS124P-390M-LRH	390	39	100	132	2.10
CSS124P-470M-LRH	470	47	100	150	1.90
CSS124P-560M-LRH	560	56	100	190	1.80
CSS124P-680M-LRH	680	68	100	220	1.50
CSS124P-820M-LRH	820	82	100	260	1.30
CSS124P-101M-LRH	101	100	100	308	1.20
CSS124P-121M-LRH	121	120	100	380	1.10
CSS124P-151M-LRH	151	150	100	530	0.95
CSS124P-181M-LRH	181	180	100	620	0.85
CSS124P-221M-LRH	221	220	100	700	0.80
CSS124P-271M-LRH	271	270	100	870	0.60
CSS124P-331M-LRH	331	330	100	990	0.50

a. Tolerance : M : ±20%.

b. Operating Temp : -25°C to +105°C.

c. Inductance measured using the HP4284A LCR meter, CHROMA1320 & 3302 & 16502.

d. DCR measured using the 502BC milli-ohm meter.

e. Inductance drops no more than 25 % of initial value at rated current, temperature rises  $\Delta t < 40^{\circ}\text{C}$ .

f. MSL : LEVEL 1

# SPECIFICATION FOR APPROVAL

## 4. MATERIAL LIST

ITEM	PART	DESCRIPTION	SGS NO.	UL NO.
a	WIRE	SOLDERABLE ENAMELED COPPER WIRE. OR EQUIV.	CE/2015/A4434	E174837
b	CORE	FERRITE DR / SRI OR EQUIV.		
c	CLIP	METAL OR EQUIV.		
d	ADHESIVE	EPOXY RESIN OR EQUIV.		
e	SOLDER	Pb FREE OR EQUIV.		

# SPECIFICATION FOR APPROVAL

## 5. RELIABILITY PERFORMANCE

### Reliability Experiment For Electrical

Test Item	Test Condition	Standard Source
Humidity Test	+40°C± 2°C, humidity of 90% ± 5% (total 96 hours).	MIL-STD-202G Method 103B Test Condition B
High Temperature Test	1.Temperature: +125°C±2°C. 2.Test time: 48±2hrs.	IEC 68-2 Test Condition B
Low Temperature Test	1.Temperature: -40°C±2°C. 2.Test time: 48±2hrs.	IEC 68-2 Test Condition A
Thermal Shock	+125°C±5°C (30 minutes) ~ -40 ± 5°C (30 minutes), temperature switch time: 5 minutes (total 50 cycles).	MIL-STD-202G Method 107G Test Condition B-2
Life Test	+70°C±5°C (250Hours).	MIL-STD-202G Method 108A Test Condition B

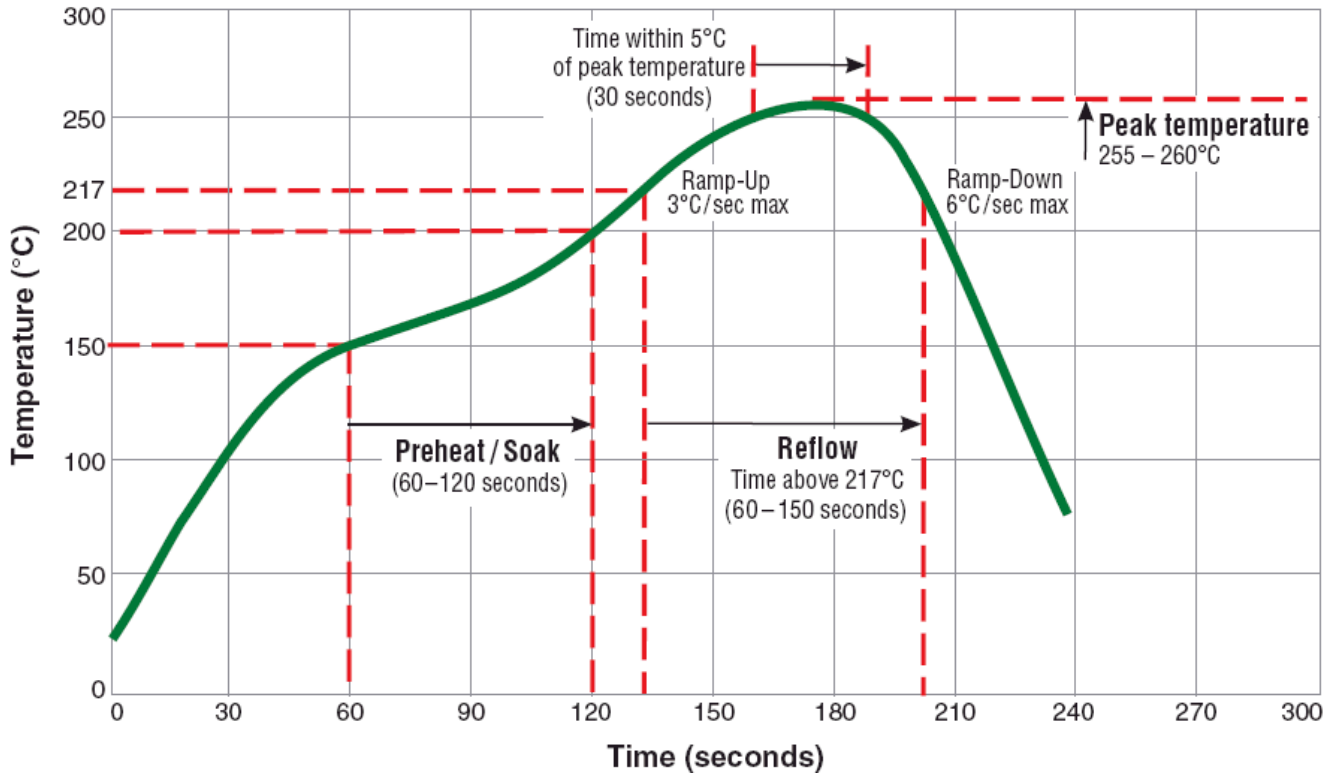
### Reliability Experiment For Physical

Test Item	Test Condition	Standard Source
Vibration Test	10-55-10HZ, amplitude: 1.5mm, direction: X, Y, Z axes, each axis 2 hours (total 6 hours).	MIL-STD-202G Method 201A
Solder Heat Resistance Test	IR/convection reflow:Peak Temp 260±5°C for 30Sec in air, Through 2 Cycle. Temperature Ramp:+1~4°C/sec; Above 217°C, must keep 90 s - 120 s.	J-STD-020D Classification Reflow Profiles
Solder Ability Test	Soak in 245°C solder pot of 5 Sec., PAD must have 95% above coverage.	J-STD-002C

# SPECIFICATION FOR APPROVAL

## 6. TYPICAL RoHS REFLOW PROFILE

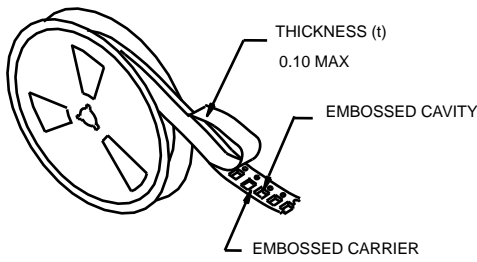
### Typical RoHS Reflow Profile



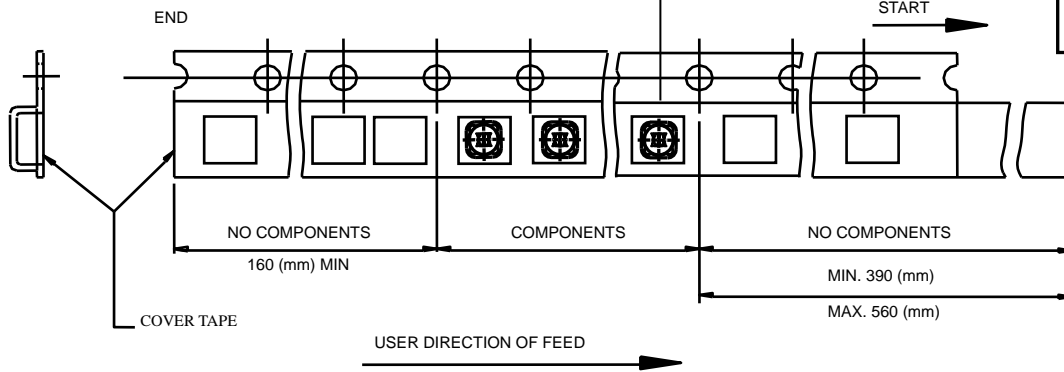
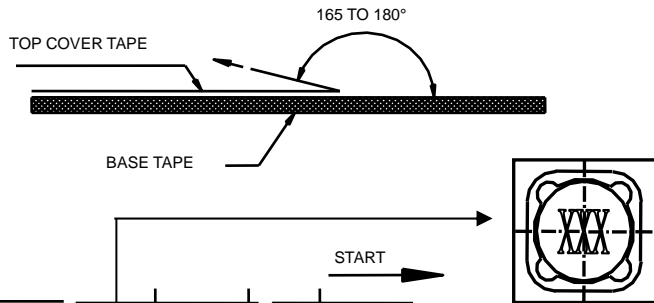


# SPECIFICATION FOR APPROVAL

## 7. PACKAGING

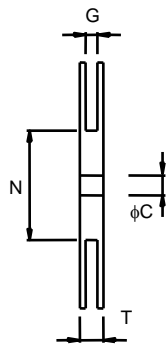
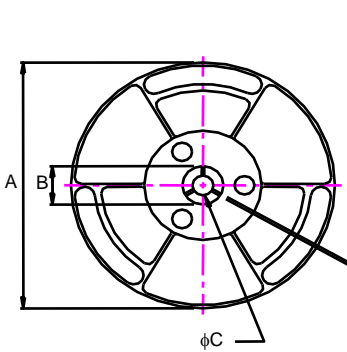


- THE FORCE FOR TEARING OFF COVER TAPE IS 25 TO 100 GRAMS IN THE ARROW

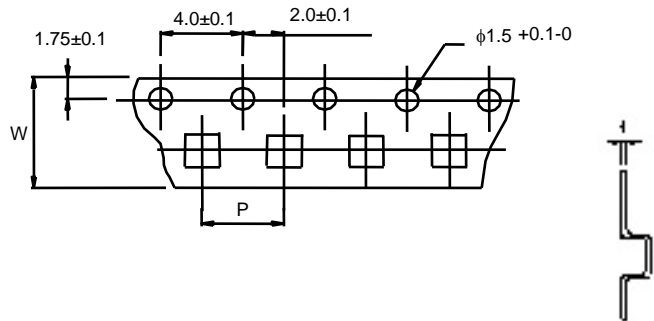


### ■ CARRIER TAPE REELS (mm)

MATERIAL: PLASTIC



### ■ DIMENSIONS OF CARRIER TAPE (mm)

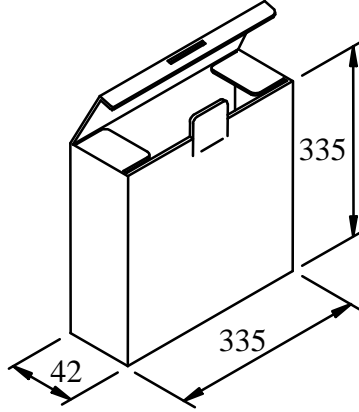


UNIT : mm

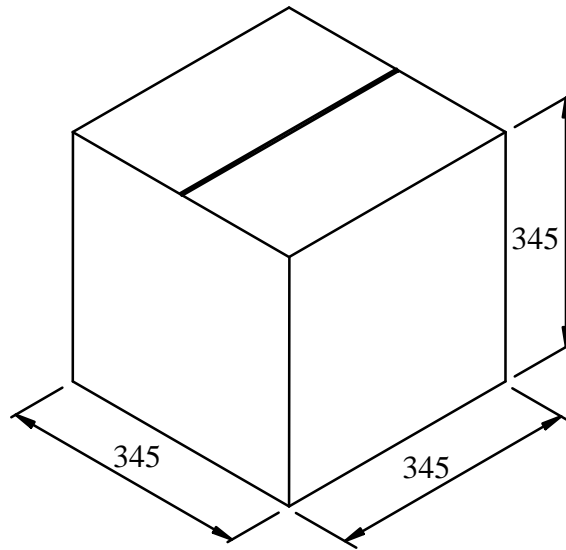
	A	B	C	G	N	P	T	W	t
DIM.	340	20.2	13.0	25.0	100	16.0	30.5	24.0	0.35
TOL.	MAX	MIN	±0.5	+1.0-0.5	±0.3	±0.1	MAX	±0.3	±0.05

# SPECIFICATION FOR APPROVAL

UNIT : mm



- CONSTRUCTION:  
THE CASE CONTAINS 1-24mm WIDE CARRIER TAPES.  
QTY : 750 / REEL



TOTAL QTY : 6,000 PCS