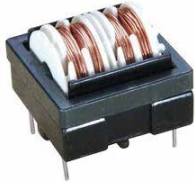


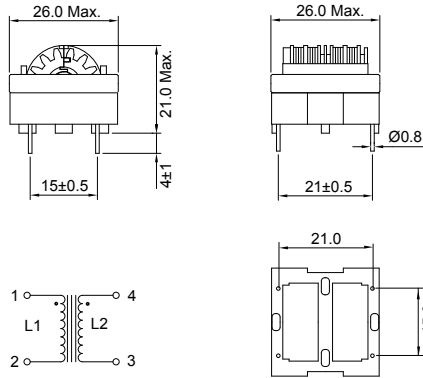
FHS2424 Series

■ Wire Wound Common Mode Filter

MECHANICAL DIMENSIONS



FHS2424



unit: mm

ELECTRICAL SPECIFICATION

Part Number	Inductance (mH) Min.	DCR (Ω) Max.	Rated Current (A)
FHS2424R-272IN	2.7	0.15	2.0
FHS2424R-392IN	3.9	0.22	1.7
FHS2424R-682IN	6.8	0.40	1.3
FHS2424R-103IN	10	0.50	1.0
FHS2424R-203IN	20	0.90	0.8
FHS2424R-253IN	25	1.00	0.7
FHS2424R-333IN	33	1.60	0.6
FHS2424R-603IN	60	3.00	0.5
FHS2424R-803IN	80	3.80	0.4
FHS2424R-124IN	120	6.50	0.3

- Inductance measurement condition: 1 KHz at 25°C
- Withstanding voltage: 1.5KV, one minute between line.
- Temperature rise: 45°C max.

SMD

Leaded