

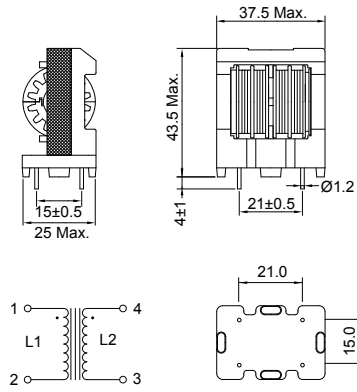
FVS3535 Series

■ Wire Wound Common Mode Filter

MECHANICAL DIMENSIONS



FVS3535



unit: mm

ELECTRICAL SPECIFICATION

Part Number	Inductance (mH) Min.	DCR (Ω) Max.	Rated Current (A)
FVS3535R-222IN	2.2	0.06	4.5
FVS3535R-332IN	3.3	0.08	4.0
FVS3535R-562IN	5.6	0.10	3.5
FVS3535R-822IN	8.2	0.12	3.0
FVS3535R-103IN	10	0.15	2.7
FVS3535R-123IN	12	0.20	2.5
FVS3535R-173IN	17	0.28	2.0
FVS3535R-223IN	22	0.40	1.8
FVS3535R-303IN	30	0.48	1.5

- Inductance measurement condition: 1 KHz at 25°C
- Withstanding voltage: 1.5KV, one minute between line.
- Temperature rise: 45°C max.

SMD

Leaded