

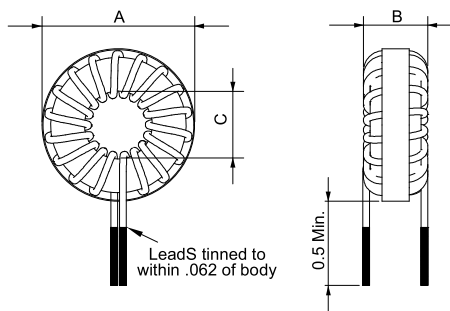
# OL Series

## High Current Toroid Inductors

### MECHANICAL DIMENSIONS



OL



unit: mm

### ELECTRICAL SPECIFICATION

Part Number	L @1KHz ( $\mu$ H) $\pm 15\%$	I dc (Amps) Max.	L min. ( $\mu$ H) @I dc	DCR ( $\Omega$ ) Max.	Dim. A Max.	Dim. B Max.	Dim. C Max.	Lead Dia. Nom.
OL1406FW-250LH□□	25	2.50	16	0.050	0.550	0.240	0.150	0.020
OL1808FW-350LH□□	35	2.50	29	0.035	0.700	0.320	0.150	0.025
OL1908FW-500LH□□	50	2.50	35	0.060	0.750	0.320	0.150	0.020
OL2209FW-101LH□□	100	2.50	70	0.080	0.850	0.360	0.200	0.020
OL2209FW-700LH□□	70	3.00	50	0.050	0.850	0.360	0.200	0.025
OL2209FW-400LH□□	40	4.00	30	0.025	0.850	0.360	0.200	0.032
OL2211FW-100LH□□	10	11.00	5	0.008	0.875	0.437	0.187	0.064
OL2211FW-250LH□□	25	5.50	12	0.014	0.875	0.437	0.187	0.040
OL2211FW-131LH□□	125	2.75	70	0.120	0.875	0.437	0.187	0.020
OL2211FW-281LH□□	275	2.00	150	0.240	0.875	0.437	0.187	0.016
OL2214FW-451LH□□	450	1.50	250	0.490	0.875	0.562	0.187	0.012
OL2914FW-250LH□□	25	9.00	15	0.012	1.125	0.562	0.312	0.064
OL2914FW-750LH□□	75	5.00	40	0.040	1.125	0.562	0.312	0.036
OL2914FW-401LH□□	400	2.25	225	0.330	1.125	0.562	0.312	0.018
OL2914FW-801LH□□	800	1.75	475	0.640	1.125	0.562	0.312	0.015
OL2916FW-102LH□□	1000	1.50	575	0.980	1.125	0.635	0.312	0.012
OL3416FW-500LH□□	50	9.50	25	0.012	1.350	0.625	0.375	0.064
OL3216FW-151LH□□	150	4.75	85	0.046	1.250	0.625	0.375	0.036
OL3216FW-701LH□□	700	2.25	400	0.420	1.250	0.625	0.375	0.018
OL3216FW-132LH□□	1250	1.75	750	0.850	1.250	0.625	0.375	0.015
OL3222FW-162LH□□	1600	1.50	950	1.270	1.250	0.85	0.375	0.012
OL4622FW-131LH□□	125	7.75	65	0.032	1.822	0.85	0.750	0.064
OL4622FW-501LH□□	500	4.00	275	0.150	1.822	0.85	0.750	0.032
OL4622FW-112LH□□	1100	2.50	650	0.330	1.822	0.85	0.750	0.025
OL4622FW-232LH□□	2250	1.75	1350	0.920	1.822	0.85	0.750	0.018
OL4622FW-452LH□□	4500	1.25	2700	2.640	1.822	0.85	0.750	0.012
OL5725FW-251LH□□	250	8.00	125	0.041	2.225	0.987	0.625	0.062
OL5725FW-901LH□□	900	3.75	500	0.175	2.225	0.987	0.625	0.032
OL5725FW-182LH□□	1800	2.50	1000	0.550	2.225	0.987	0.625	0.023
OL5725FW-402LH□□	4000	1.75	2100	1.160	2.225	0.987	0.625	0.018
OL5725FW-802LH□□	8000	1.00	4500	3.340	2.225	0.987	0.625	0.012

□□ : Internal Code

### FEATURES

- Suitable for high current power supplies
- Low radiation noise
- Low core loss
- High saturate current
- Less power loss and minimum thermal effect
- Operating temperature: -55°C to +105°C
- Storage temperature: -40°C to +85°C

### APPLICATION

- Power Supply , computers and server , EMI/RFI suppression and wide band choke coils , DC/DC converters , I/P & O/P.
- For noise prevention of TV , audio device etc.