

描述Description

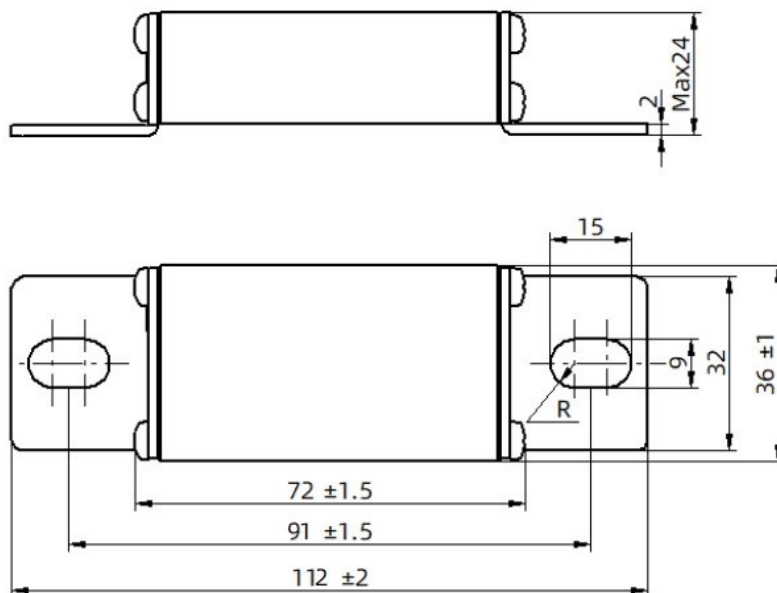
本系列熔断器体积小、重量轻、功耗低，且具有高分断能力、强限流能力。适用于电动汽车、充电桩、交直流柜等，可以作为储能系统、动力系统、导线及设备的短路后备保护。

This series of fuses has the advantages of small volume, light weight, low watt loss , high breaking capacity and extremely current limiting . Use for electric vehicles, charging station , AC / DC cabinets, etc., and can be used as short-circuit backup protection for electrical energy storage, power systems, wires and equipment.

技术参数

- ◆ 额定电压/Rated voltage : 1000VDC
- ◆ 额定电流 /Rated current : 50A 63A 80A 100A125A 160A 200A 250A
- ◆ 分断能力/Breaking capacity: 50kA
- ◆ 参照标准/Standard: IEC 60269-4、GBT13539.4、 UL 248-13
- ◆ 保护类别/Protection category : aR

尺寸Dimensions(mm)



产品信息
Product information

型号 Model	额定电压 Rated Voltage	额定电流 Rated Current	分断电流 Breaking Capacity	功率 Watt loss	包装 Pack-age	重量 Weight
	V	A	kA	W	Pcs	g
LFR000-50A10-BT	1000	50	50	17	12	500
LFR000-63A10-BT	1000	63	50	21	12	500
LFR000-80A10-BT	1000	80	50	24	12	500
LFR000-100A10-BT	1000	100	50	27	12	500
LFR000-125A10-BT	1000	125	50	29	12	500
LFR000-160A10-BT	1000	160	50	35	12	500
LFR000-200A10-BT	1000	200	50	38	12	500
LFR000-225A10-BT	1000	225	50	40	12	500
LFR000-250A10-BT	1000	250	50	45	12	500

LV Fuses

LV Fuses

时间-电流特性
曲线

Time-Current
Curve

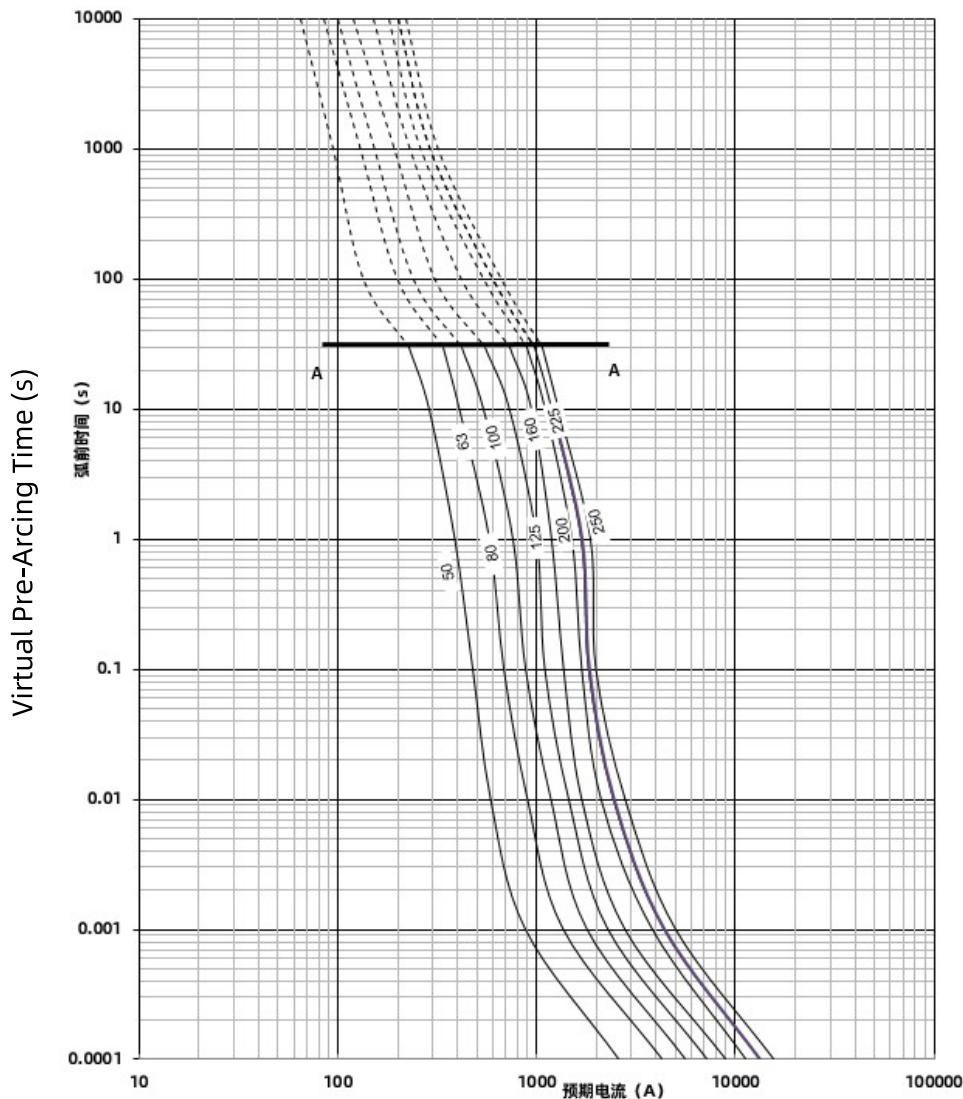
注: (Notes)

1、特性曲线精度为电
流方向误差±15%;

The accuracy of the
Time-Current curve is
±15% .

2、最小分断电流: 4In

Minimum breaking
current :4In



Prospective Fault RMS Current (A)