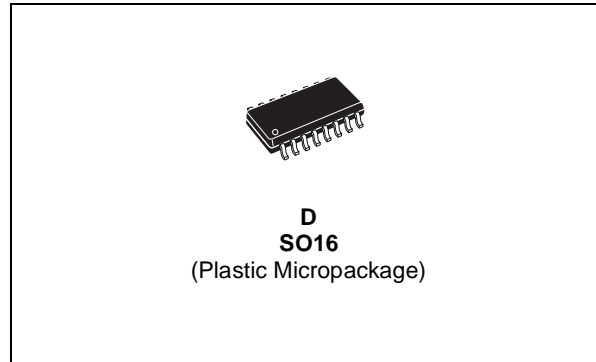


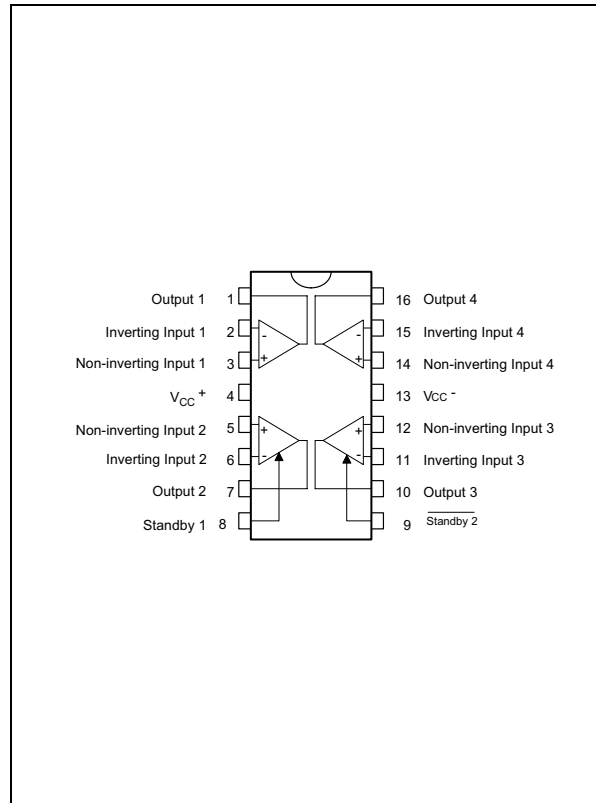


HIGH SPEED LOW POWER QUAD OPERATIONAL AMPLIFIER (WITH **STANDBY** POSITION)

- **2 SEPARATE STANDBY : REDUCED CONSUMPTION AND HIGH IMPEDANCE OUTPUTS**
- LOW SUPPLY CURRENT : 4.5mA
- HIGH SPEED : 150MHz - 110V/μs
- UNITY GAIN STABILITY
- LOW OFFSET VOLTAGE : 3mV
- LOW NOISE 4.2 nV/√Hz
- LOW COST
- SPECIFIED FOR **600Ω** AND **150Ω** LOADS
- HIGH VIDEO PERFORMANCES :
 - Differential Gain : 0.03%
 - Differential Phase : 0.07°
 - Gain Flatness : 6MHz, 0.1dB max. @ 10dB gain
- HIGH AUDIO PERFORMANCES



PIN CONNECTIONS (top view)



DESCRIPTION

The TSH94 is a quad low power high frequency op-amp, designated for high quality video signal processing. The device offers an excellent speed consumption ratio with 4.5mA per amplifier for 150MHz bandwidth.

High slew rate and low noise make it also suitable for high quality audio applications.

The TSH94 offers 2 separate complementary **STANDBY** pins :

- STANDBY 1 acting on the n° 2 operator
- STANDBY 2 acting on the n° 3 operator

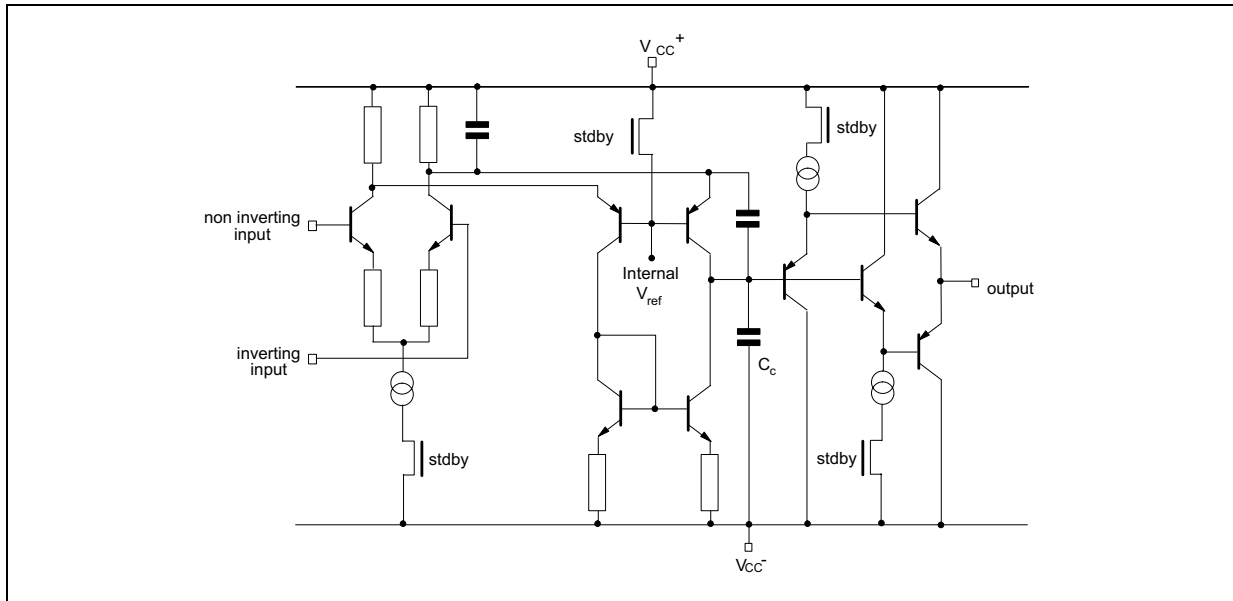
They reduce the consumption of the corresponding operator and put the output in a high impedance state.

ORDER CODE

| Part Number | Temperature Range | Package |
|-------------|-------------------|---------|
| | | D |
| TSH94I | -40°C, +125°C | • |

D = Small Outline Package (SO) - also available in Tape & Reel (DT)

SCHEMATIC DIAGRAM



MAXIMUM RATINGS

| Symbol | Parameter | Value | Unit |
|------------|--|-------------|------|
| V_{CC} | Supply Voltage ¹⁾ | 14 | V |
| V_{id} | Differential Input Voltage ²⁾ | ± 5 | V |
| V_i | Input Voltage ³⁾ | -0.3 to 12 | V |
| T_{oper} | Operating Free-Air Temperature range | -40 to +125 | °C |
| T_{stg} | Storage Temperature Range | -65 to +150 | °C |

1. All voltages values, except differential voltage are with respect to network ground terminal
2. Differential voltages are the non-inverting input terminal with respect to the inverting input terminal
3. The magnitude of input and output voltages must never exceed $V_{CC}^+ + 0.3V$

OPERATING CONDITIONS

| Symbol | Parameter | Value | Unit |
|----------|---------------------------------|----------------------------------|------|
| V_{CC} | Supply Voltage | 7 to 12 | V |
| V_{ic} | Common Mode Input Voltage Range | $V_{CC}^- + 2$ to $V_{CC}^+ - 1$ | V |

ELECTRICAL CHARACTERISTICS

$V_{CC}^+ = 5V$, $V_{CC}^- = -5V$, pin 8 connected to 0V, pin 9 connected to V_{CC}^+ , $T_{amb} = 25^\circ C$
(unless otherwise specified)

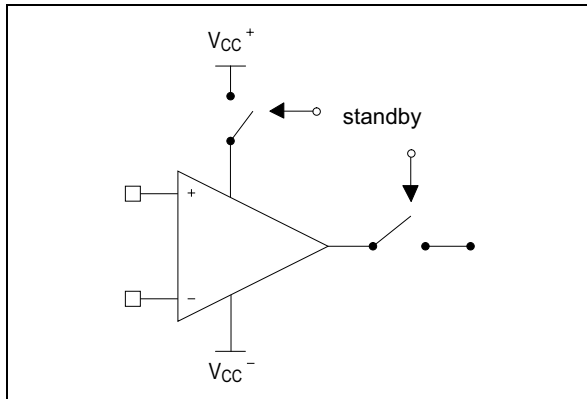
| Symbol | Parameter | Min. | Typ. | Max. | Unit |
|-----------------|---|----------------------|--------------|--------------------|-----------------|
| V_{io} | Input Offset Voltage $V_{ic} = V_o = 0V$ $T_{min.} \leq T_{amb} \leq T_{max.}$ | | | 3 5 | mV |
| I_{io} | Input Offset Current $T_{min.} \leq T_{amb} \leq T_{max.}$ | | 1 | 2 5 | μA |
| I_{ib} | Input Bias Current $T_{min.} \leq T_{amb} \leq T_{max.}$ | | 5 | 15 20 | μA |
| I_{CC} | Supply Current (per amplifier, no load) $T_{min.} \leq T_{amb} \leq T_{max.}$ | | 4.5 | 6 8 | mA |
| CMR | Common-mode Rejection Ratio $V_{ic} = -3V$ to $+4V$, $V_o = 0V$ $T_{min.} \leq T_{amb} \leq T_{max.}$ | 80 70 | 100 | | dB |
| SVR | Supply Voltage Rejection Ratio $V_{CC} = \pm 5V$ to $\pm 3V$ $T_{min.} \leq T_{amb} \leq T_{max.}$ | 60 50 | 75 | | dB |
| A_{vd} | Large Signal Voltage Gain $R_L = 10k\Omega$, $V_o = \pm 2.5V$ $T_{min.} \leq T_{amb} \leq T_{max.}$ | 57 54 | 70 | | dB |
| V_{OH} | High Level Output Voltage $V_{id} = 1V$ $T_{min.} \leq T_{amb} \leq T_{max.}$ $R_L = 600\Omega$ $R_L = 150\Omega$ $R_L = 150\Omega$ | 3 2.5 2.4 | 3.5 3 | | V |
| V_{OL} | Low Level Output Voltage $V_{id} = 11V$ $T_{min.} \leq T_{amb} \leq T_{max.}$ $R_L = 600\Omega$ $R_L = 150\Omega$ $R_L = 150\Omega$ | | -3.5 -2.8 | -3 -2.5 -2.4 | V |
| I_o | Output Short Circuit Current $V_{id} = \pm 1V$ $T_{min.} \leq T_{amb} \leq T_{max.}$ Source Sink Source Sink | 20 20 15 15 | 36 40 | | mA |
| GBP | Gain Bandwidth Product $A_{VCL} = 100$, $R_L = 600\Omega$, $C_L = 15pF$, $f = 7.5MHz$ | 90 | 150 | | MHz |
| f_T | Transition Frequency | | 90 | | MHz |
| SR | Slew Rate $V_{in} = -2$ to $+2V$, $A_{VCL} = +1$, $R_L = 600\Omega$, $C_L = 15pF$ | 70 | 110 | | V/ μs |
| e_n | Equivalent Input Voltage Noise $R_s = 50\Omega$, $f = 1kHz$ | | 4.2 | | nV/ \sqrt{Hz} |
| ϕ_m | Phase Margin $A_{VM} = +1$ | | 35 | | Degrees |
| V_{O1}/V_{O2} | Channel Separation $f = 1MHz$ to $10MHz$ | | 65 | | dB |
| Gf | Gain Flatness $f = DC$ to $6MHz$, $A_{VCL} = 10dB$ | | | 0.1 | dB |
| THD | Total Harmonic Distortion $f = 1kHz$, $V_o = \pm 2.5V$, $R_L = 600\Omega$ | | 0.01 | | % |
| ΔG | Differential Gain $f = 3.58MHz$, $A_{VCL} = +2$, $R_L = 150\Omega$ | | 0.03 | | % |
| $\Delta \phi$ | Differential Phase $f = 3.58MHz$, $A_{VCL} = +2$, $R_L = 150\Omega$ | | 0.07 | | Degree |

STANDBY MODE $V_{CC}^+ = 5V$, $V_{CC}^- = -5V$, $T_{amb} = 25^\circ C$ (unless otherwise specified)

| Symbol | Parameter | Min. | Typ. | Max. | Unit |
|---------------|--|------------------|------------------|------------------|------|
| V_{SBY} | Pin 8/9 Threshold Voltage for STANDBY Mode | $V_{CC}^+ - 2.2$ | $V_{CC}^+ - 1.6$ | $V_{CC}^+ - 1.0$ | V |
| $I_{CC\ SBY}$ | Total Consumption | | | | mA |
| | Standby 1 & 2 = 0 | | 13.7 | | |
| | Standby 1 & 2 = 1 | | 13.7 | | |
| | Standby 1 = 1, Standby 2 = 0 | | 9.4 | | |
| I_{sol} | Input/Output Isolation ($f = 1MHz$ to $10MHz$) | | 70 | | dB |
| t_{ON} | Time from Standby Mode to Active Mode | | 200 | | ns |
| t_{OFF} | Time from Active Mode to Standby Mode | | 200 | | ns |
| I_D | Standby Driving Current | | 2 | | pA |
| I_{OL} | Output Leakage Current | | 20 | | pA |
| I_{IL} | Input Leakage Current | | 20 | | pA |

| LOGIC INPUT | | STATUS | | |
|-------------|-----------|----------|----------|--------------|
| Standby 1 | Standby 2 | Op-Omp 2 | Op-Amp 3 | Op-Amp 1 & 4 |
| 0 | 0 | Enable | Standby | Enable |
| 0 | 1 | Enable | Enable | Enable |
| 1 | 0 | Standby | Standby | Enable |
| 1 | 1 | Standby | Enable | Enable |

STANDBY POSITION



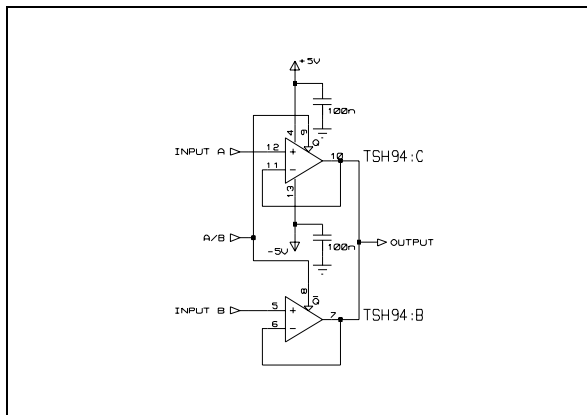
STANDBY MODE

To put the device in standby, just apply a logic level on the standby MOS input. As ground is a virtual level for the device, threshold voltage has been referred to V_{CC}^+ at $V_{CC}^+ - 1.6V$ typ.

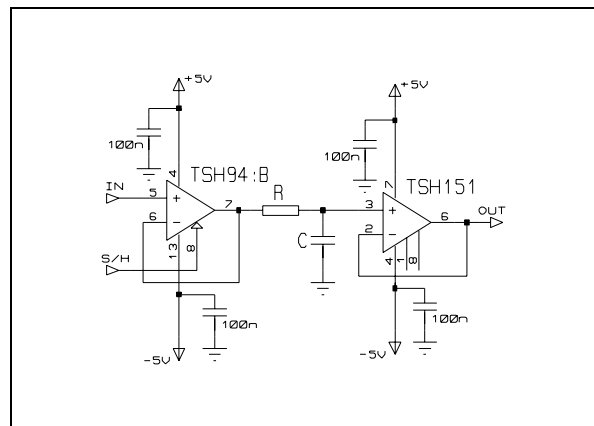
In standby mode, the output goes in high impedance in 200ns. Be aware that all maximum rating must still be followed in this mode. It leads to swing limitation while using the device in signal multiplexing configuration with followers, differential input voltage must not exceed $\pm 5V$ limiting input swing to 2.5Vpp.

APPLICATIONS

SIGNAL MULTIPLEXING

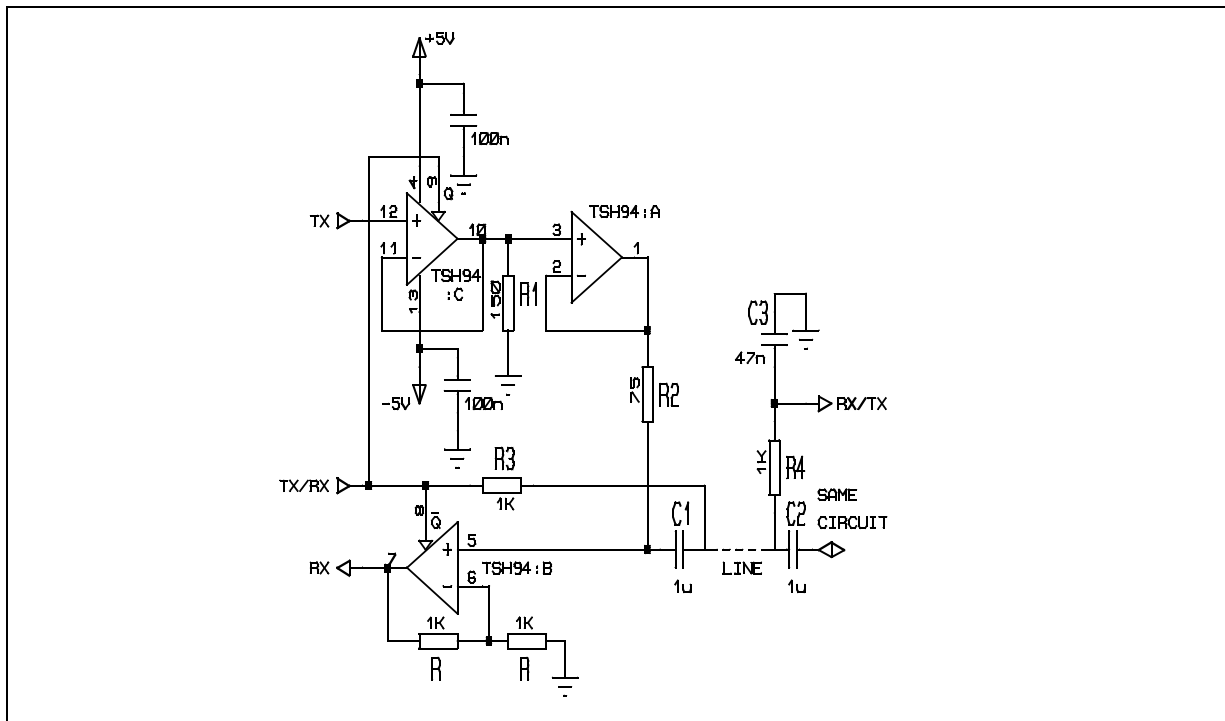


SAMPLE AND HOLD



APPLICATIONS

VIDEO LINE TRANSCEIVER WITH REMOTE CONTROL



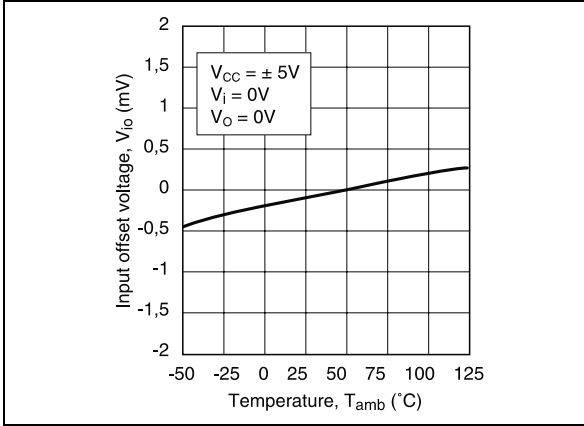
PRINTED CIRCUIT LAYOUT

As for any high frequency device, a few rules must be observed when designing the PCB to get the best performances from this high speed op amp.

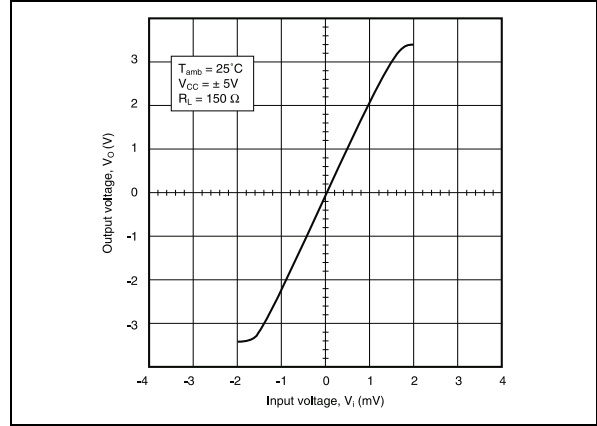
From the most to the least important points :

- Each power supply lead has to be by-passed to ground with a 10nF ceramic capacitor very close to the device and 10μF capacitor.
- To provide low inductance and low resistance common return, use a ground plane or common point return for power and signal.
- All leads must be wide and as short as possible especially for op amp inputs. This is in order to decrease parasitic capacitance and inductance.
- Use small resistor values to decrease time constant with parasitic capacitance.
- Choose component sizes as small as possible (SMD).
- On output, decrease capacitor load so as to avoid circuit stability being degraded which may cause oscillation. You can also add a serial resistor in order to minimise its influence.

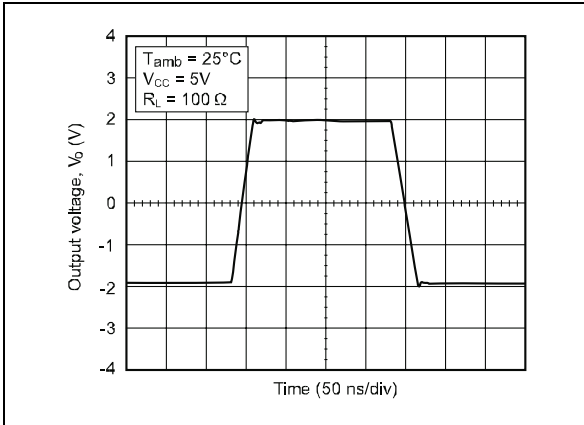
INPUT OFFSET VOLTAGE DRIFT VERSUS TEMPERATURE



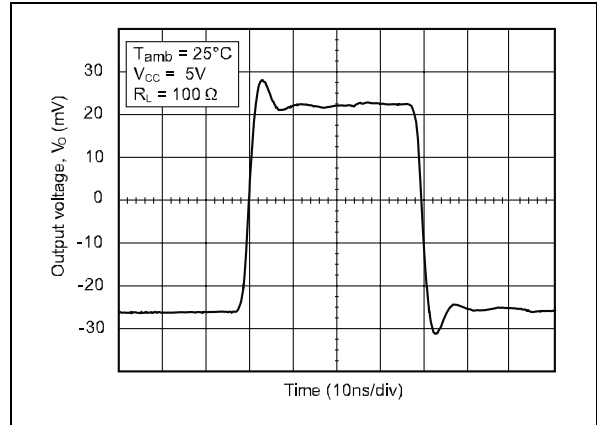
STATIC OPEN LOOP VOLTAGE GAIN



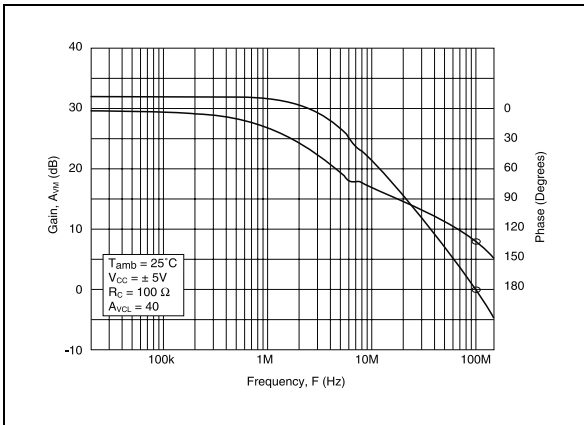
LARGE SIGNAL FOLLOWER RESPONSE



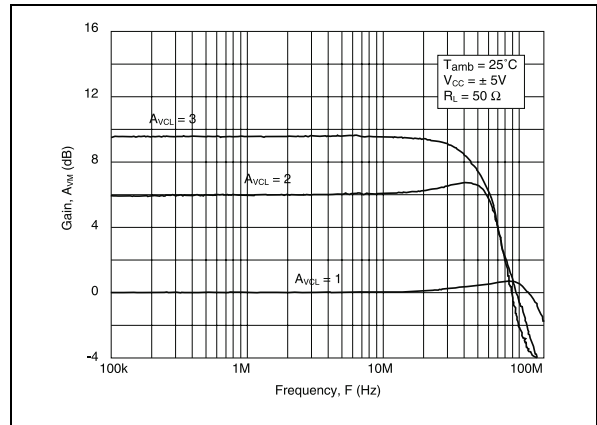
SMALL SIGNAL FOLLOWER RESPONSE



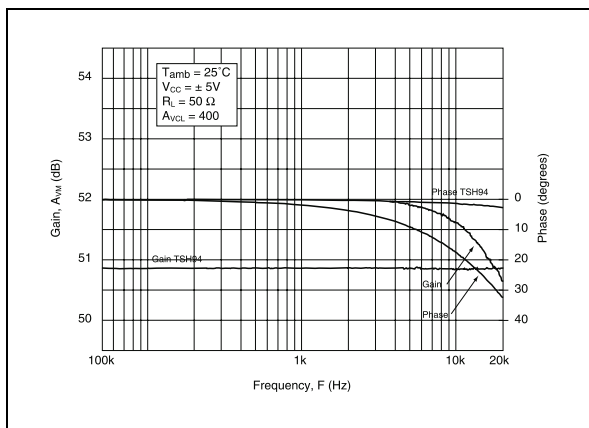
OPEN LOOP FREQUENCY RESPONSE AND PHASE SHIFT



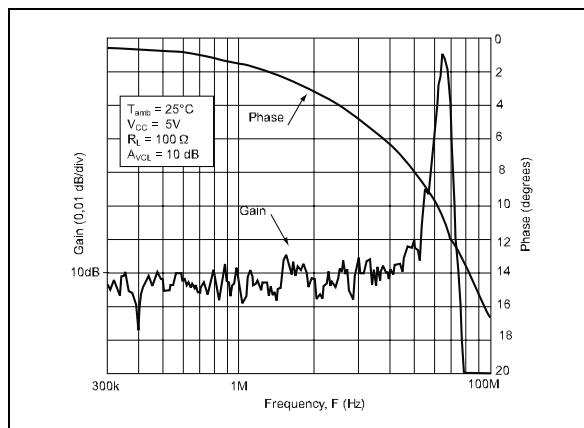
CLOSE LOOP FREQUENCY RESPONSE



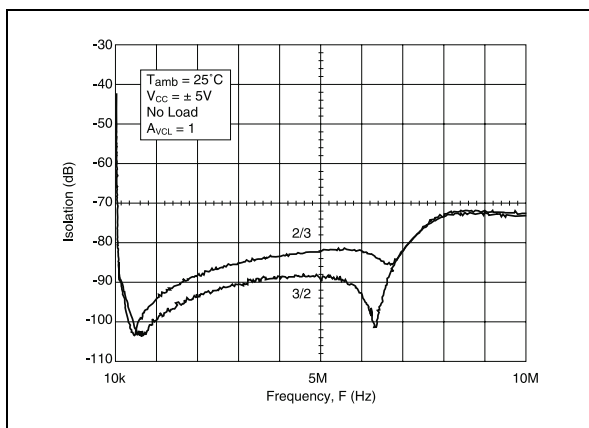
AUDIO BANDWIDTH FREQUENCY RESPONSE AND PHASE SHIFT (TSH94 vs Standard 15MHz Audio Op-Amp)



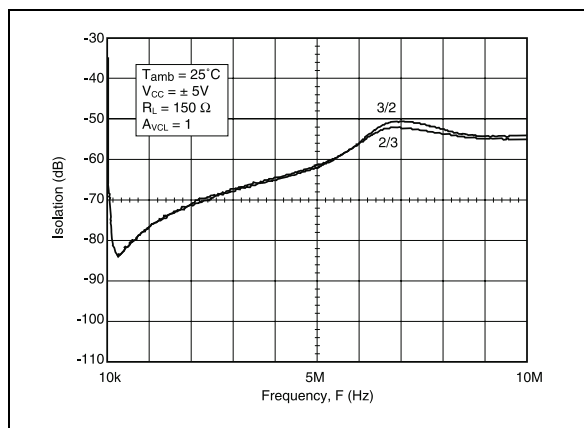
GAIN FLATNESS AND PHASE SHIFT VERSUS FREQUENCY



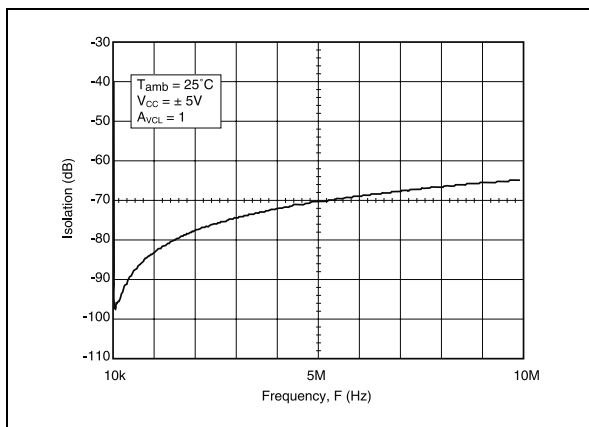
CROSS TALK ISOLATION VERSUS FREQUENCY (SO16 PACKAGE)



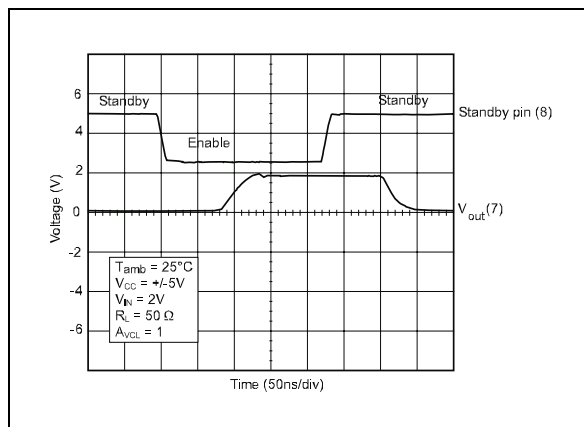
CROSS TALK ISOLATION VERSUS FREQUENCY (SO16 PACKAGE)



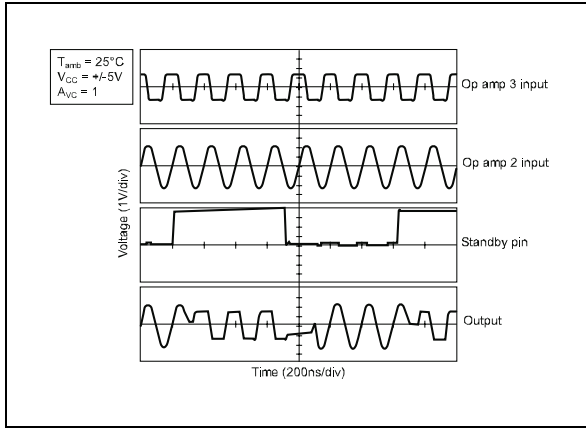
INPUT/OUTPUT ISOLATION IN STANDBY MODE (SO16 PACKAGE)



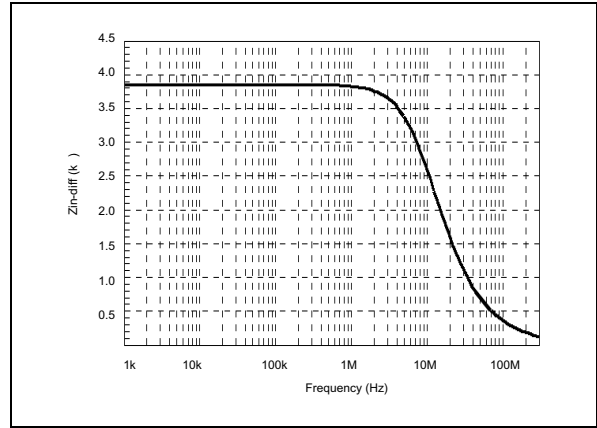
STANDBY SWITCHING



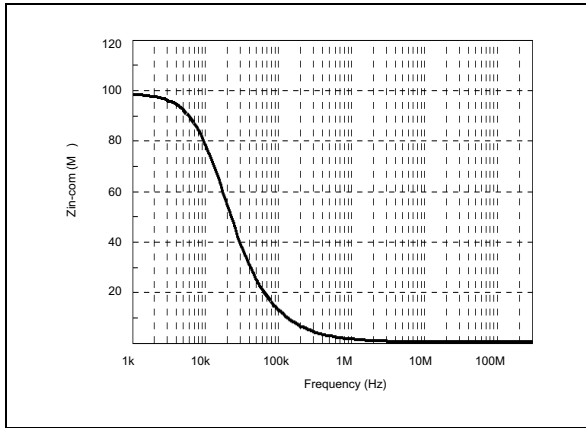
SIGNAL MULTIPLEXING (cf p. 5/10)



COMMON INPUT IMPEDANCE VERSUS FREQUENCY



DIFFERENTIAL INPUT IMPEDANCE VERSUS FREQUENCY



MACROMODEL**Applies to: TSH94I** (model without standby)

```

** Standard Linear Ics Macromodels, 1996.
** CONNECTIONS :
* 1 INVERTING INPUT
* 2 NON-INVERTING INPUT
* 3 OUTPUT
* 4 POSITIVE POWER SUPPLY
* 5 NEGATIVE POWER SUPPLY
.SUBCKT TSH94 1 3 2 4 5 (analog)
*****
.MODEL MDTH D IS=1E-8 KF=1.809064E-15
CJO=10F
* INPUT STAGE
CIP 2 5 1.000000E-12
CIN 1 5 1.000000E-12
EIP 10 5 2 5 1
EIN 16 5 1 5 1
RIP 10 11 2.600000E-01
RIN 15 16 2.600000E-01
RIS 11 15 3.645298E-01
DIP 11 12 MDTH 400E-12
DIN 15 14 MDTH 400E-12
VOFP 12 13 DC 0.000000E+00
VOFN 1314DC 0
IPOL 13 5 1.000000E-03
CPS 11 15 2.986990E-10
DINN 17 13 MDTH 400E-12
VIN 17 5 2.000000E+00
DINR 15 18 MDTH 400E-12
VIP 4 18 1.000000E+00
FCP 4 5 VOFP 3.500000E+00
FCN 5 4 VOFN 3.500000E+00
FIBP 2 5 VOFP 1.000000E-02
FIBN 5 1 VOFN 1.000000E-02
* AMPLIFYING STAGE
FIP 5 19 VOFP 2.530000E+02
FIN 5 19 VOFN 2.530000E+02
RG1 19 5 3.160721E+03
RG2 19 4 3.160721E+03
CC 19 5 2.000000E-09
DOPM 19 22 MDTH 400E-12
DONM 21 19 MDTH 400E-12
HOPM 22 28 VOUT 1.504000E+03
VIPM 28 4 5.000000E+01
HONM 21 27 VOUT 1.400000E+03
VINM 5 27 5.000000E+01
*****
RZP1 5 80 1E+06
RZP2 4 80 1E+06
GZP 5 82 19 80 2.5E-05
RZP2H 83 4 10000
RZP1H 83 82 80000
RZP2B 84 5 10000
RZP1B 82 84 80000
LZPH 4 83 3.535e-02
LZPB 84 5 3.535e-02
EOUT 26 23 82 5 1
VOUT 23 5 0
ROUT 26 3 35
COUT 3 5 30.000000E-12
DOP 19 25 MDTH 400E-12
VOP 4 25 2.361965E+00
DON 24 19 MDTH 400E-12
VON 24 5 2.361965E+00
.ENDS

```

ELECTRICAL CHARACTERISTICS $V_{CC} = \pm 5V$, $T_{amb} = 25^{\circ}C$ (unless otherwise specified)

| Symbol | Conditions | Value | Unit |
|--------------|----------------------------------|---------|------------|
| V_{io} | | 0 | mV |
| A_{vd} | $R_L = 600\Omega$ | 3.2 | V/mV |
| I_{CC} | No load / Ampli | 5.2 | mA |
| V_{icm} | | -3 to 4 | V |
| V_{OH} | $R_L = 600\Omega$ | +3.6 | V |
| V_{OL} | $R_L = 600\Omega$ | -3.6 | V |
| I_{sink} | $V_o = 0V$ | 40 | mA |
| I_{source} | $V_o = 0V$ | 40 | mA |
| GBP | $R_L = 600\Omega$, $C_L = 15pF$ | 147 | MHz |
| SR | $R_L = 600\Omega$, $C_L = 15pF$ | 110 | V/ μs |
| ϕ_m | $R_L = 600\Omega$, $C_L = 15pF$ | 42 | Degrees |

Applies to: TSH94I (model with standby)

```

* 1 INVERTING INPUT
* 2 NON-INVERTING INPUT
* 3 OUTPUT
* 4 POSITIVE POWER SUPPLY
* 5 NEGATIVE POWER SUPPLY
* 6 STANDBY
.SUBCKT TSH94 1 3 2 4 5 6 (analog)
*****
***** switch *****
.SUBCKT SWITCH20 10 IN OUT COM
.MODEL DIDEAL D N=0.1 IS=1E-08
DP IN 1 DIDEAL 400E-12
DN OUT 2 DIDEAL 400E-12
EP 1 OUT COM 10 2
EN 2 IN COM 10 2
RFUIT1 IN 1 1E+09
RFUIT2 OUT 2 1E+09
RCOM COM 0 1E+12
.ENDS SWITCH
***** inverter *****
.SUBCKT INV 20 10 IN OUT
.MODEL DIDEAL D N=0.1 IS=1E-08
RP1 20 15 1E+09
RN1 15 10 1E+09
RIN IN 10 1E+12
RIP IN 20 1E+12
DPINV OUT 20 DIDEAL 400E-12
DNINV 10 OUT DIDEAL 400E-12
GINV 0 OUT IN 15 -6.7E-7
CINV 0 OUT 210f
.ENDS INV
***** AOP *****
.MODEL MDTH D IS=1E-8 KF=1.809064E-15
CJO=10F
* INPUT STAGE
CIP 2 5 1.000000E-12
CIN 1 5 1.000000E-12
EIP 10 5 2 5 1
EIN 16 5 1 5 1
RIP 10 11 2.600000E-01
RIN 15 16 2.600000E-01
RIS 11 15 3.645298E-01
DIP 11 12 MDTH 400E-12
DIN 15 14 MDTH 400E-12
VOFP 12 13 DC 0.000000E+00
VOFN 13 14 DC 0
FPOL 13 5 VSTB 1E+03
CPS 11 15 2.986990E-10
DINN 17 13 MDTH 400E-12
VIN 17 5 2.000000E+00
DINR 15 18 MDTH 400E-12
VIP 4 18 1.000000E+00
FCP 4 5 VOFP 3.500000E+00
FCN 5 4 VOFN 3.500000E+00

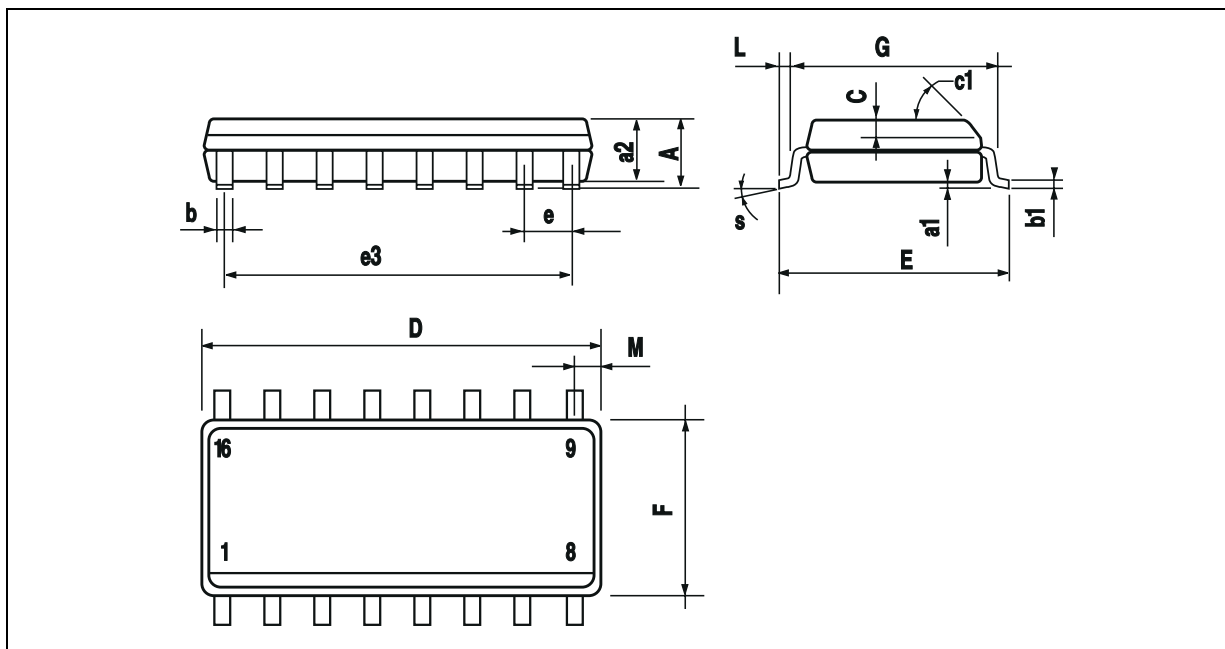
```

```

ISTB0 4 5 130UA
FIBP 2 5 VOFP 1.000000E-02
FIBN 5 1 VOFN 1.000000E-02
* AMPLIFYING STAGE
FIP 5 19 VOFP 2.530000E+02
FIN 5 19 VOFN 2.530000E+02
RG1 19 120 3.160721E+03
XCOM1 4 0 120 5 COM SWITCH
RG2 19 121 3.160721E+03
XCOM2 4 0 4 121 COM SWITCH
CC 19 5 2.000000E-09
DOPM 19 22 MDTH 400E-12
DONM 21 19 MDTH 400E-12
HOPM 22 28 VOUT 1.504000E+03
VIPM 28 4 5.000000E+01
HONM 21 27 VOUT 1.400000E+03
VINM 5 27 5.000000E+01
***** ZP *****
RZP1 5 80 1E+06
RZP2 4 80 1E+06
GZP 5 82 19 80 2.5E-05
RZP2H 83 4 10000
RZP1H 83 82 80000
RZP2B 84 5 10000
RZP1B 82 84 80000
LZPH 4 83 3.535e-02
LZPB 84 5 3.535e-02
*****
EOUT 26 23 82 5 1
VOUT 23 5 0
ROUT 26 103 35
COUT 103 5 30.000000E-12
XCOM 4 0 103 3 COM SWITCH
DOP 19 25 MDTH 400E-12
VOP 4 25 2.361965E+00
DON 24 19 MDTH 400E-12
VON 24 5 2.361965E+00
***** STAND BY *****
RMI1 4 111 1E+7
RMI2 0 111 2E+7
RONOFF 6 60 1K
CONOGG 60 0 10p
RSTBIN 60 0 1E+12
ESTBIN 106 0 6 0 1
ESTBREF 106 107 111 0 1
DSTB1 107 108 MDTH 400E-12
VSTB 108 109 0
ISTB 109 0 1U
RSTB 109 110 1
DSTB2 0 110 MDTH 400E-12
XINV 4 0 6 COM INV
.ENDS

```

PACKAGE MECHANICAL DATA
16 PINS - PLASTIC MICROPACKAGE (SO)



| Dim. | Millimeters | | | Inches | | |
|------|-------------|------|------|--------|-------|-------|
| | Min. | Typ. | Max. | Min. | Typ. | Max. |
| A | | | 1.75 | | | 0.069 |
| a1 | 0.1 | | 0.2 | 0.004 | | 0.008 |
| a2 | | | 1.6 | | | 0.063 |
| b | 0.35 | | 0.46 | 0.014 | | 0.018 |
| b1 | 0.19 | | 0.25 | 0.007 | | 0.010 |
| C | | 0.5 | | | 0.020 | |
| c1 | 45° (typ.) | | | | | |
| D | 9.8 | | 10 | 0.386 | | 0.394 |
| E | 5.8 | | 6.2 | 0.228 | | 0.244 |
| e | | 1.27 | | | 0.050 | |
| e3 | | 8.89 | | | 0.350 | |
| F | 3.8 | | 4.0 | 0.150 | | 0.157 |
| G | 4.6 | | 5.3 | 0.181 | | 0.209 |
| L | 0.5 | | 1.27 | 0.020 | | 0.050 |
| M | | | 0.62 | | | 0.024 |
| S | 8° (max.) | | | | | |

Information furnished is believed to be accurate and reliable. However, STMicroelectronics assumes no responsibility for the consequences of use of such information nor for any infringement of patents or other rights of third parties which may result from its use. No license is granted by implication or otherwise under any patent or patent rights of STMicroelectronics. Specifications mentioned in this publication are subject to change without notice. This publication supersedes and replaces all information previously supplied. STMicroelectronics products are not authorized for use as critical components in life support devices or systems without express written approval of STMicroelectronics.

© The ST logo is a registered trademark of STMicroelectronics

© 2000 STMicroelectronics - Printed in Italy - All Rights Reserved
STMicroelectronics GROUP OF COMPANIES

Australia - Brazil - China - Finland - France - Germany - Hong Kong - India - Italy - Japan - Malaysia - Malta - Morocco
Singapore - Spain - Sweden - Switzerland - United Kingdom

© <http://www.st.com>

