

TC551001BPL/BFL/BFTL/BTRL-70L/85L

SILICON GATE CMOS

131,072 WORD x 8 BIT STATIC RAM

Description

The TC551001BPL is a 1,048,576 bits static random access memory organized as 131,072 words by 8 bits using CMOS technology, and operated from a single 5V power supply. Advanced circuit techniques provide both high speed and low power features with an operating current of 5mA/MHz (typ.) and a minimum cycle time of 70ns. When $\overline{CE1}$ is a logical high, or CE2 is low, the device is placed in a low power standby mode in which the standby current is 2 μ A typically. The TC551001BPL has three control inputs. Chip Enable inputs ($\overline{CE1}$, CE2) allow for device selection and data retention control, while an Output Enable input (\overline{OE}) provides fast memory access. The TC551001BPL is suitable for use in microprocessor application systems where high speed, low power, and battery backup are required.

The TC551001BPL is offered in a standard dual-in-line 32-pin plastic package, a small outline plastic package, and a thin small outline plastic package (forward, reverse type).

Features

- Low power dissipation: 27.5mW/MHz (typ.)
- Standby current: 4 μ A (max.) at Ta = 25°C
- 5V single power supply
- Access time (max.)

	TC551001BPL/BFL/BFTL/BTRL	
	-70L	-85L
Access Time	70ns	85ns
$\overline{CE1}$ Access Time	70ns	85ns
CE2 Access Time	70ns	85ns
\overline{OE} Access Time	35ns	45ns

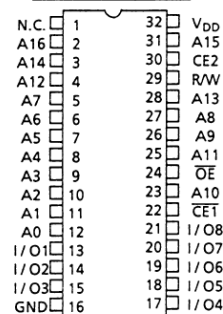
- Power down feature: $\overline{CE1}$, CE2
- Data retention supply voltage: 2.0 ~ 5.5V
- Inputs and outputs directly TTL compatible
- Package
 - TC551001BPL : DIP32-P-600
 - TC551001BFL : SOP32-P-525
 - TC551001BFTL : TSOP32-P-0820
 - TC551001BTRL : TSOP32-P-0820A

Pin Names

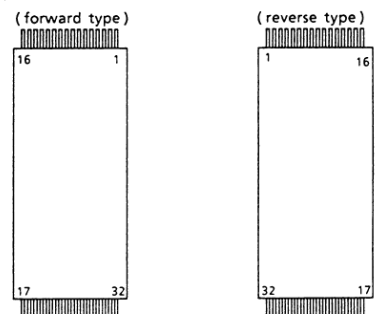
A0 ~ A16	Address Inputs
R/W	Read/Write Control Input
\overline{OE}	Output Enable Input
$\overline{CE1}$, CE2	Chip Enable Inputs
I/O1 ~ I/O8	Data Input/Output
V _{DD}	Power (+5V)
GND	Ground
N.C.	No Connection

Pin Connection (Top View)

o 32 PIN DIP & SOP



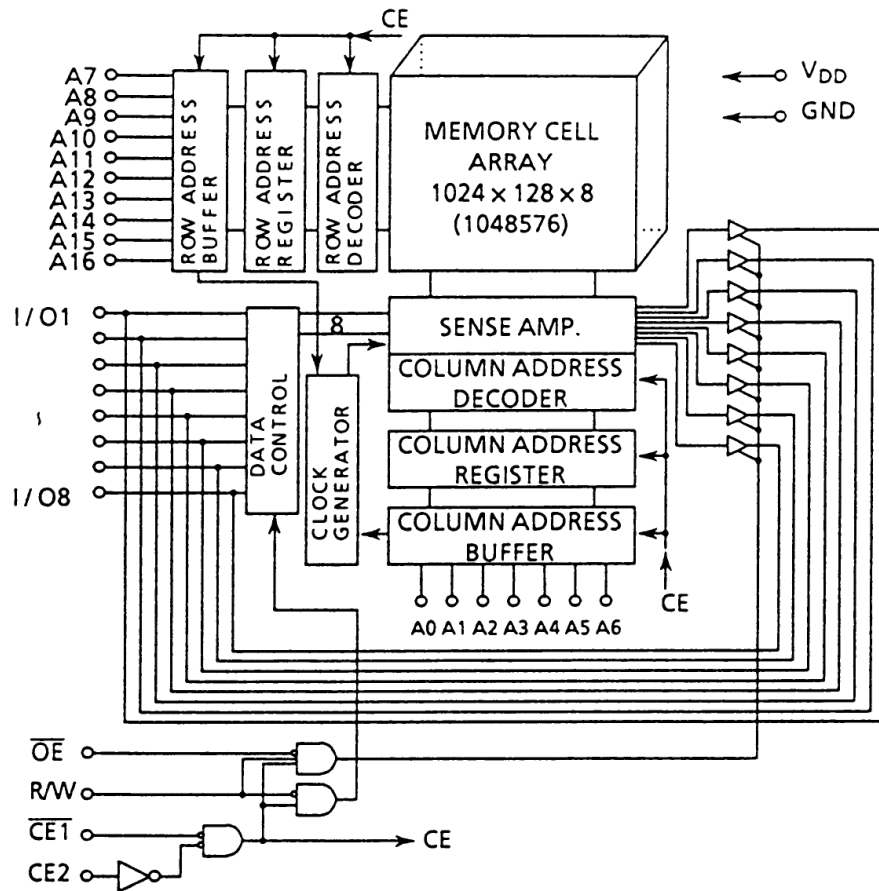
o 32 PIN TSOP



TSOP Pinout

PIN NO.	1	2	3	4	5	6	7	8	9	10	11	12	13	14	15	16
PIN NAME	A ₁₁	A ₉	A ₈	A ₁₃	R/W	CE2	A ₁₅	V _{DD}	NC	A ₁₆	A ₁₄	A ₁₂	A ₇	A ₆	A ₅	A ₄
PIN NO.	17	18	19	20	21	22	23	24	25	26	27	28	29	30	31	32
PIN NAME	A ₃	A ₂	A ₁	A ₀	I/O1	I/O2	I/O3	GND	I/O4	I/O5	I/O6	I/O7	I/O8	$\overline{CE1}$	A ₁₀	\overline{OE}

Block Diagram



Operating Mode

OPERATION MODE	$\overline{CE1}$	CE2	\overline{OE}	R/W	I/O1 ~ I/O8	POWER
Read	L	H	L	H	D _{OUT}	I _{DDO}
Write	L	H	*	L	D _{IN}	I _{DDO}
Output Deselect	L	H	H	H	High-Z	I _{DDO}
Standby	H	*	*	*	High-Z	I _{DDS}
	*	L	*	*	High-Z	I _{DDS}

* H or L

Maximum Ratings

SYMBOL	ITEM	RATING	UNIT
V _{DD}	Power Supply Voltage	-0.3 ~ 7.0	V
V _{IN}	Input Voltage	-0.3* ~ 7.0	V
V _{I/O}	Input and Output Voltage	-0.5 ~ V _{DD} + 0.5	V
P _D	Power Dissipation	1.0/0.6**	W
T _{SOLDER}	Soldering Temperature (10s)	260	°C
T _{STRG}	Storage Temperature	-55 ~ 150	°C
T _{OPR}	Operating Temperature	0 ~ 70	°C

* -3.0V at pulse width of 50ns Max

** SOP

DC Recommended Operating Conditions

SYMBOL	PARAMETER	MIN.	TYP.	MAX.	UNIT
V_{DD}	Power Supply Voltage	4.5	5.0	5.5	V
V_{IH}	Input High Voltage	2.2	–	$V_{DD} + 0.3$	
V_{IL}	Input Low Voltage	-0.3*	–	0.8	
V_{DH}	Data Retention Supply Voltage	2.0	–	5.5	

* -3.0V at pulse width of 50ns Max.

DC and Operating Characteristics ($T_a = 0 \sim 70^\circ\text{C}$, $V_{DD} = 5V \pm 10\%$)

SYMBOL	PARAMETER	TEST CONDITION	MIN.	TYP.	MAX.	UNIT		
I_{LI}	Input Leakage Current	$V_{IN} = 0 \sim V_{DD}$	–	–	± 1.0	μA		
I_{LO}	Output Leakage Current	$\overline{CE1} = V_{IH}$ or $CE2 = V_{IL}$ or $R/W = V_{IL}$ or $\overline{OE} = V_{IH}$, $V_{OUT} = 0 \sim V_{DD}$	–	–	± 1.0	μA		
I_{OH}	Output High Current	$V_{OH} = 2.4V$	-1.0	–	–	mA		
I_{OL}	Output Low Current	$V_{OL} = 0.4V$	4.0	–	–	mA		
I_{DDO1}	Operating Current	$\overline{CE1} = V_{IL}$ and $CE2 = V_{IH}$ and $R/W = V_{IH}$, $I_{OUT} = 0\text{mA}$ Other Inputs = V_{IH}/V_{IL}	t_{cycle}	Min.	–	–	70	mA
I_{DDO2}				1 μs	–	–	20	
	I_{DDO2}	$\overline{CE1} = 0.2V$ and $CE2 = V_{DD} - 0.2V$ $R/W = V_{DD} - 0.2V$ $I_{OUT} = 0\text{mA}$ Other Inputs = $V_{DD} - 0.2V/0.2V$	t_{cycle}	Min.	–	–	60	
1 μs				–	–	10		
I_{DDS1}	Standby Current	$\overline{CE1} = V_{IH}$ or $CE2 = V_{IL}$	–	–	–	3	mA	
$I_{DDS2}^{(1)}$		$\overline{CE1} = V_{DD} - 0.2V$ or $CE2 = 0.2V$ $V_{DD} = 2.0V \sim 5.5V$	$T_a = 0 \sim 70^\circ\text{C}$	–	–	–	30	μA
		$T_a = 25^\circ\text{C}$	–	2	–	4		

Note: (1) In standby mode with $\overline{CE1} \geq V_{DD} - 0.2V$, these specification limits are guaranteed under the condition of $CE2 \geq V_{DD} - 0.2V$ or $CE2 \leq 0.2V$.

Capacitance ($T_a = 25^\circ\text{C}$, $f = 1\text{MHz}$)

SYMBOL	PARAMETER	TEST CONDITION	MAX.	UNIT
C_{IN}	Input Capacitance	$V_{IN} = \text{GND}$	10	pF
C_{OUT}	Output Capacitance	$V_{OUT} = \text{GND}$	10	

Note: This parameter is periodically sampled and is not 100% tested.

AC Characteristics (Ta = 0 ~ 70°C, V_{DD} = 5V±10%)**Read Cycle**

SYMBOL	PARAMETER	TC551001BPL/BFL/BFTL/BTRL				UNIT
		-70L		-85L		
		MIN.	MAX.	MIN.	MAX.	
t _{RC}	Read Cycle Time	70	–	85	–	ns
t _{ACC}	Address Access Time	–	70	–	85	
t _{CO1}	$\overline{CE1}$ Access Time	–	70	–	85	
t _{CO2}	CE2 Access Time	–	70	–	85	
t _{OE}	Output Enable to Output in Valid	–	35	–	45	
t _{COE}	Chip Enable ($\overline{CE1}$, CE2) to Output in Low-Z	10	–	10	–	
t _{OEE}	Output Enable to Output in Low-Z	5	–	5	–	
t _{OD}	Chip Enable ($\overline{CE1}$, CE2) to Output in High-Z	–	25	–	30	
t _{ODO}	Output Enable to Output in High-Z	–	25	–	30	
t _{OH}	Output Data Hold Time	10	–	10	–	

Write Cycle

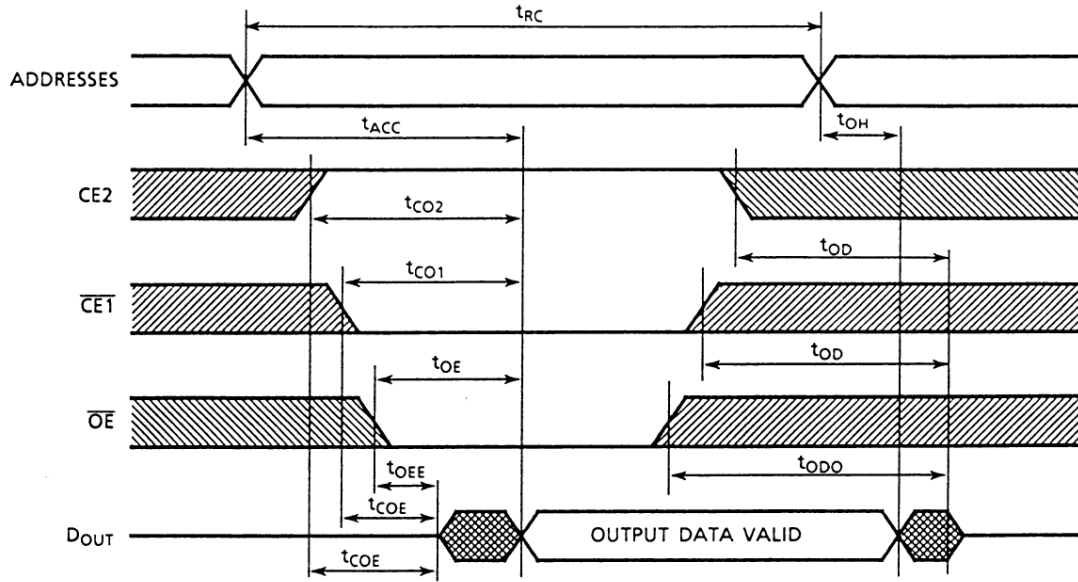
SYMBOL	PARAMETER	TC551001BPL/BFL/BFTL/BTRL				UNIT
		-70L		-85L		
		MIN.	MAX.	MIN.	MAX.	
t _{WC}	Write Cycle Time	70	–	85	–	ns
t _{WP}	Write Pulse Width	50	–	60	–	
t _{CW}	Chip Selection to End of Write	60	–	75	–	
t _{AS}	Address Setup Time	0	–	0	–	
t _{WR}	Write Recovery Time	0	–	0	–	
t _{ODW}	R/W to Output in High-Z	–	25	–	30	
t _{OEW}	R/W to Output in Low-Z	5	–	5	–	
t _{DS}	Data Setup Time	30	–	35	–	
t _{DH}	Data Hold Time	0	–	0	–	

AC Test Conditions

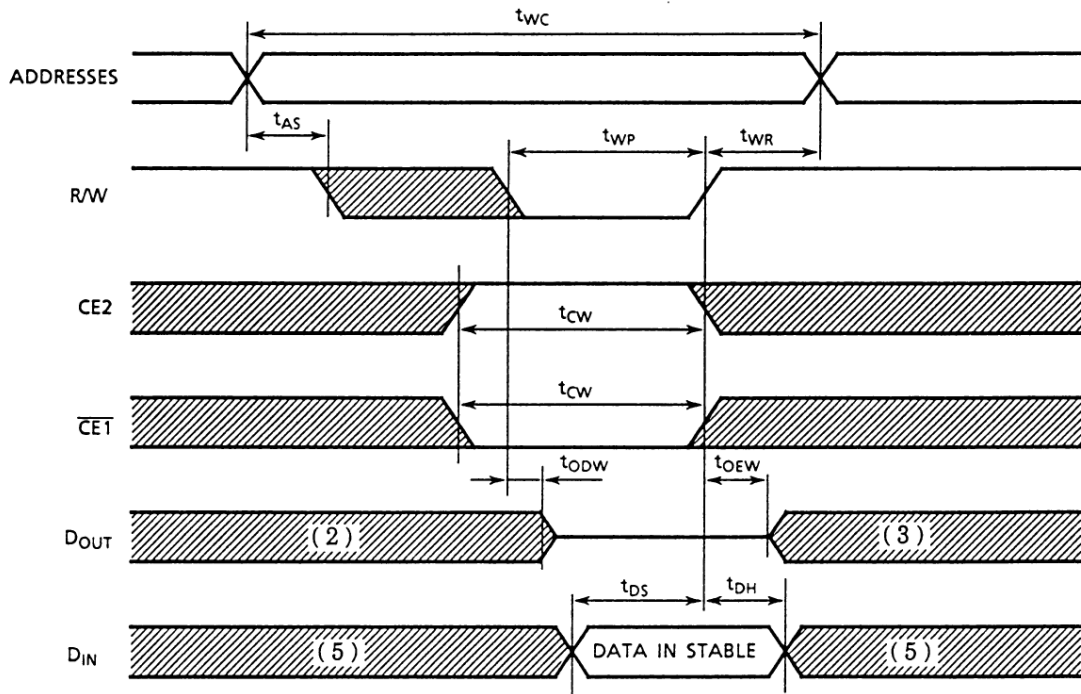
Input Pulse Levels	2.4V/0.6V
Input Pulse Rise and Fall Time	5ns
Input Timing Measurement Reference Level	1.5V
Output Timing Measurement Reference Level	1.5V
Output Load	1 TTL Gate and C _L = 100pF

Timing Waveforms

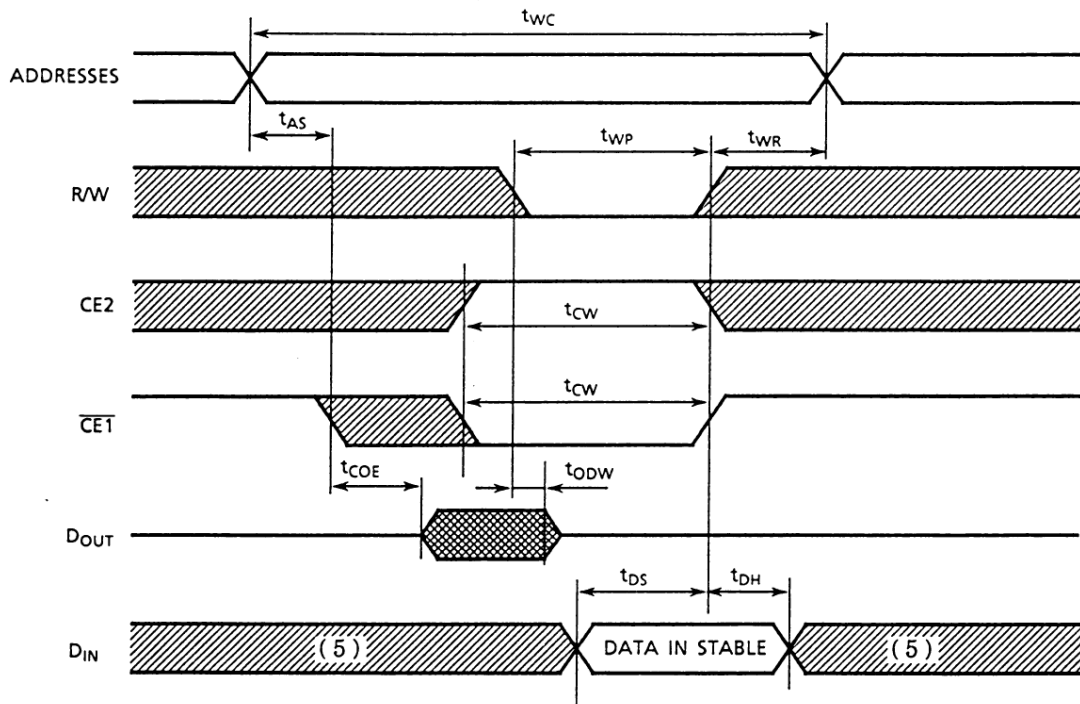
Read Cycle ⁽¹⁾



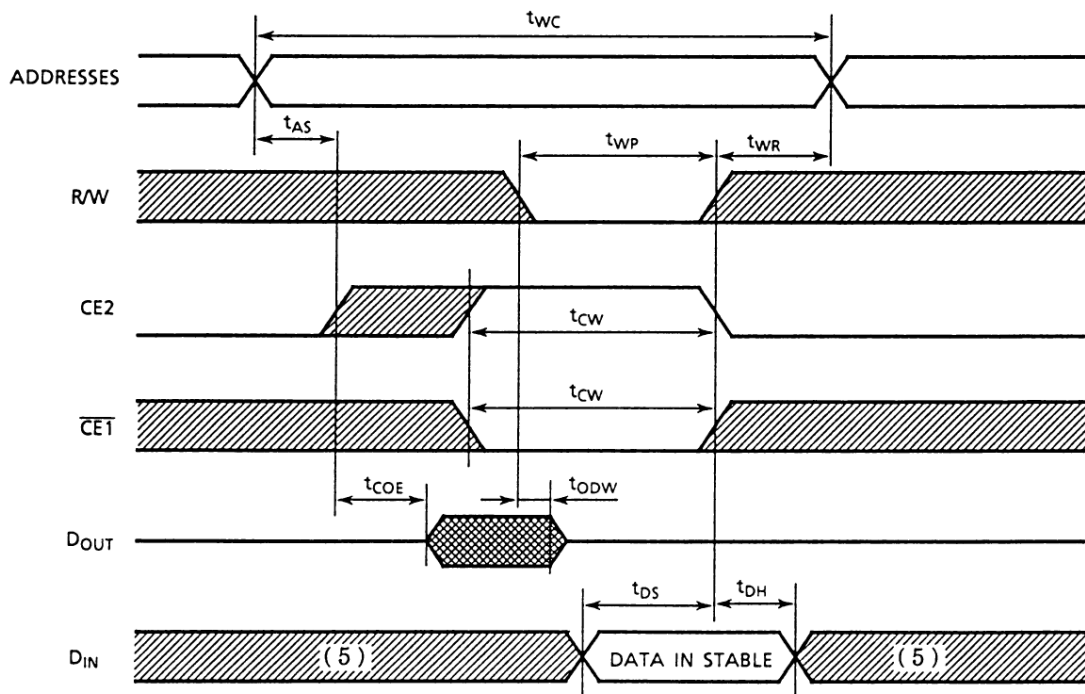
Write Cycle 1 ⁽⁴⁾ (R/W Controlled Write)



Write Cycle 2 ⁽⁴⁾ ($\overline{CE1}$ Controlled Write)



Write Cycle 3 ⁽⁴⁾ (CE2 Controlled Write)

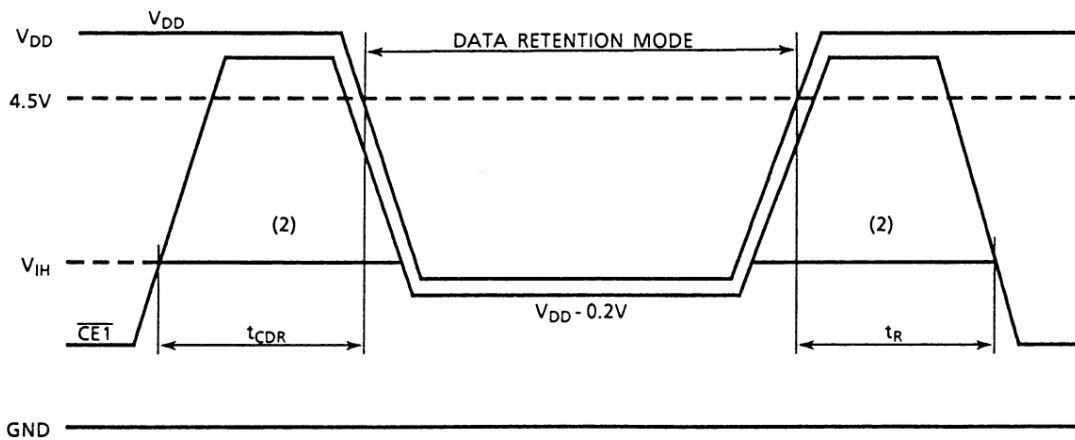
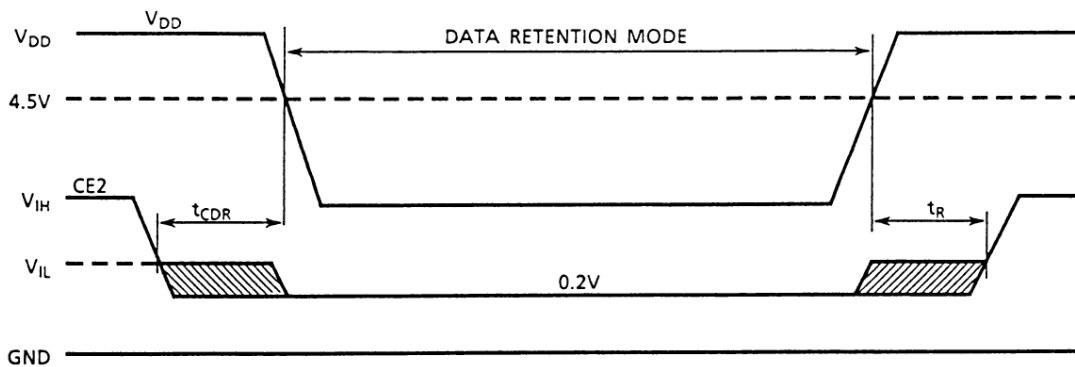


Notes:

1. R/W is High for Read Cycle.
2. Assuming that $\overline{CE1}$ Low transition or CE2 High transition occurs coincident with or after the R/W low transition, Outputs remain in a high impedance state.
3. Assuming that $\overline{CE1}$ High transition or CE2 Low transition occurs coincident with or prior to the R/W high transition, Outputs remain in a high impedance state.
4. Assuming that \overline{OE} is High for a Write Cycle, Outputs are in a high impedance state during this period.
5. The I/O may be in the output state during this time, input signals of opposite phase must not be applied.

Data Retention Characteristics (Ta = 0 ~ 70°C)

SYMBOL	PARAMETER	MIN.	TYP.	MAX.	UNIT
V_{DH}	Data Retention Supply Voltage	2.0	–	5.5	V
I_{DDs2}	Standby Current	$V_{DD} = 3.0V$	–	15*	μA
		$V_{DD} = 5.5V$	–	30	
t_{CDR}	Chip Deselect to Data Retention Mode	0	–	–	ns
t_R	Recovery Time	5	–	–	ms

*3 μA (max.) Ta = 0 ~ 40°C $\overline{CE1}$ Controlled Data Retention Mode ⁽¹⁾ $CE2$ Controlled Data Retention Mode ⁽³⁾

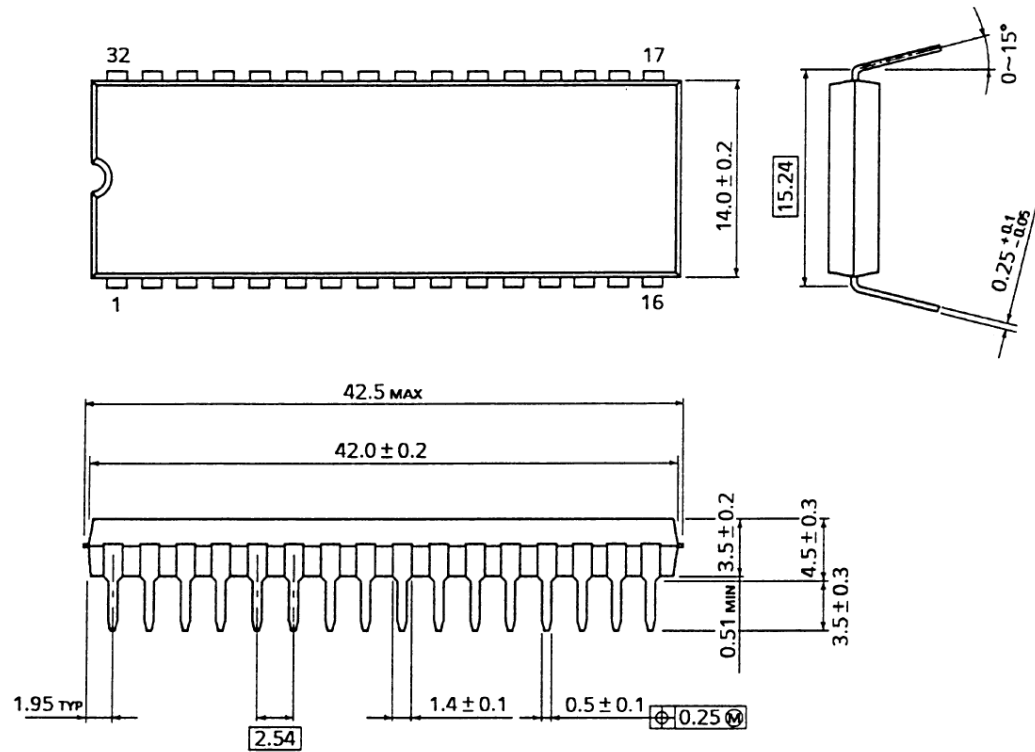
Notes:

1. In the $\overline{CE1}$ controlled data retention mode, minimum standby current is achieved under the condition $CE2 \leq 0.2V$ or $CE2 \geq V_{DD} - 0.2V$.
2. If the V_{IH} of $\overline{CE1}$ is 2.2V in operation, during the period that the V_{DD} voltage is going down from 4.5V to 2.4V, I_{DDs1} current flows.
3. In the $CE2$ controlled data retention mode, minimum standby current is achieved under the condition $CE2 \leq 0.2V$.

Outline Drawing

DIP32-P-600

Unit in mm

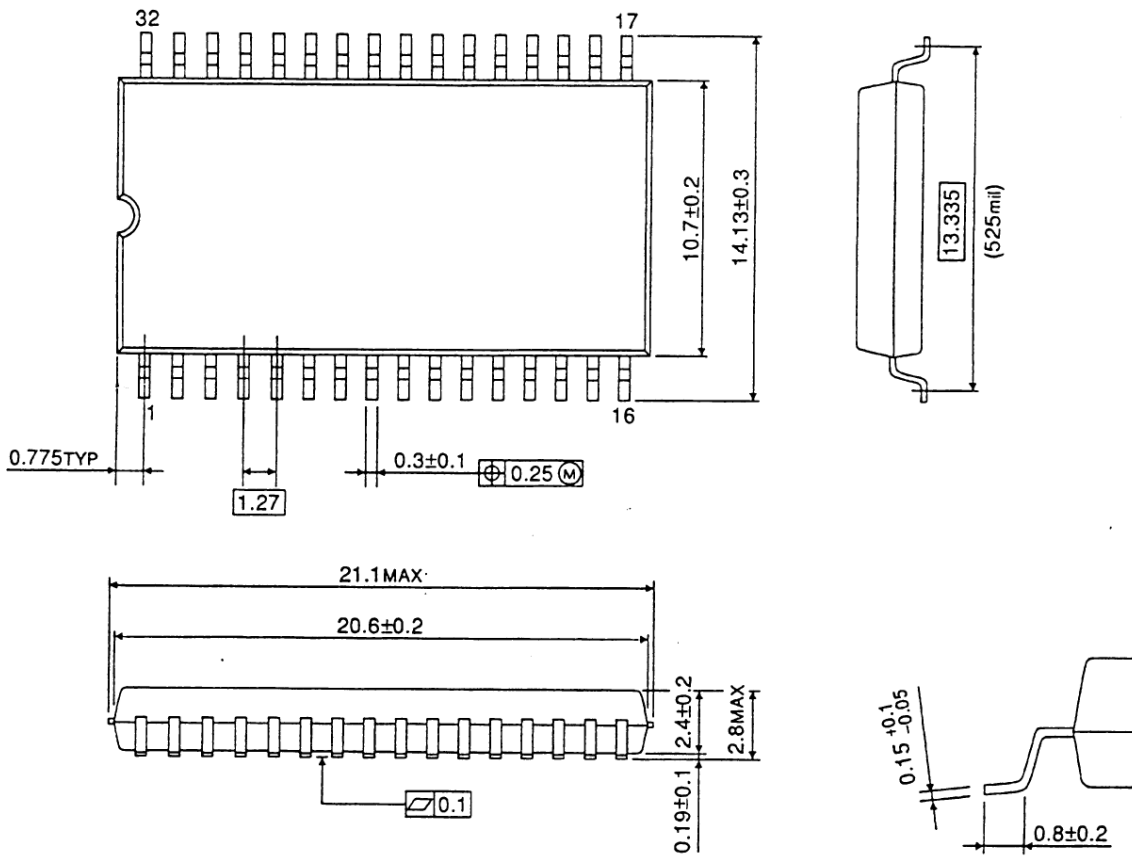


Weight : 4.45 g (Typ.)

Outline Drawing

SOP32-P-525

Unit in mm

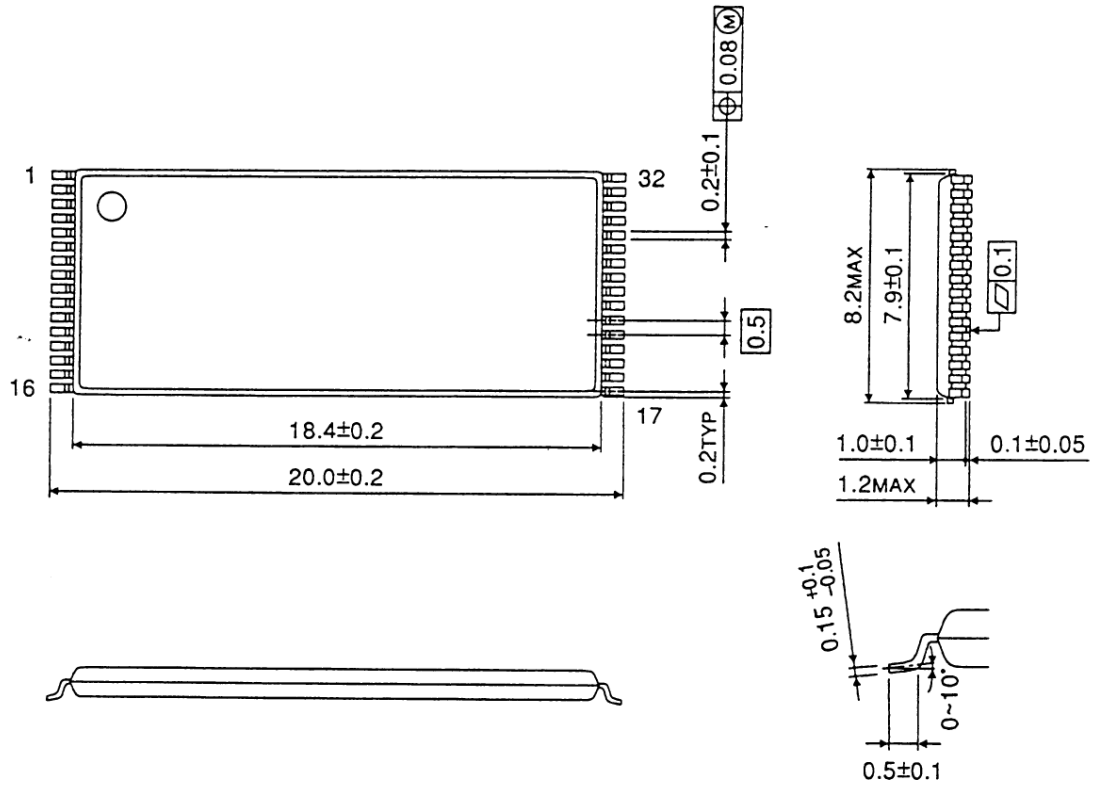


Weight : 1.04 g (Typ.)

Outline Drawing

TSOP32-P-0820

Unit in mm

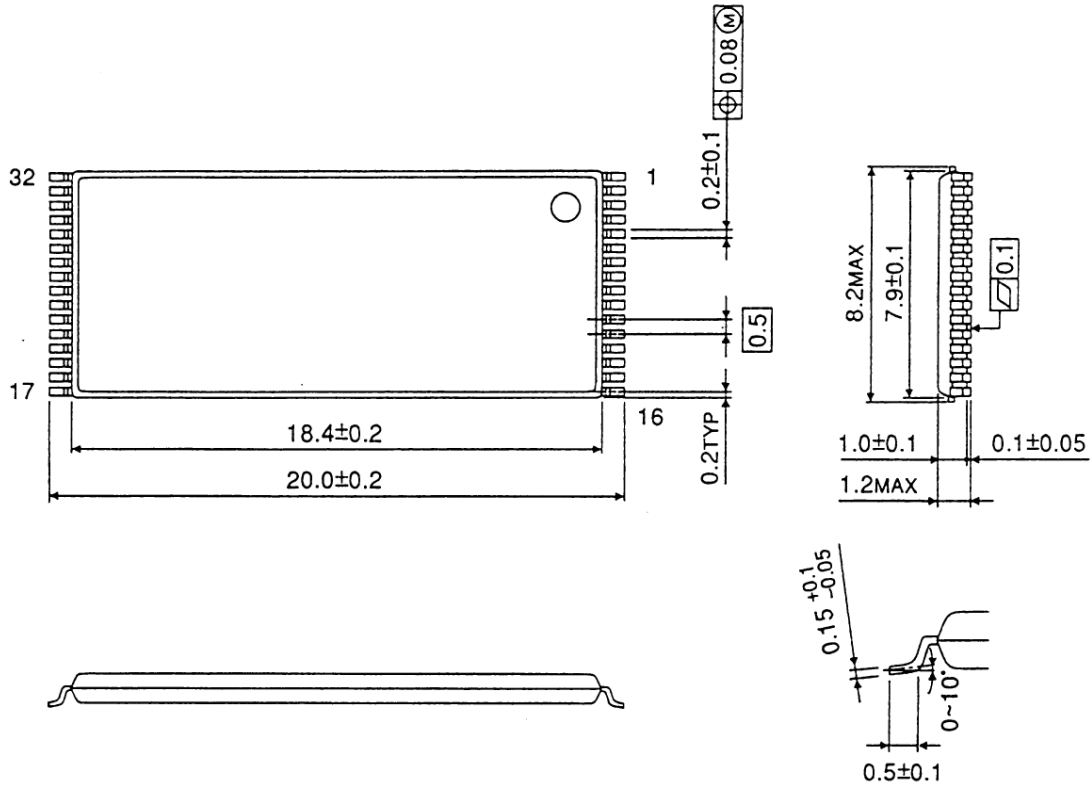


Weight : 0.34 g (Typ.)

Outline Drawing

TSOP32-P-0820A

Unit in mm



Weight : 0.34 g (Typ.)

1. This technical data may be controlled under U.S. Export Administration Regulations and may be subject to the approval of the U.S. Department of Commerce prior to export. Any export or re-export, directly or indirectly, in contravention of the U.S. Export Administration Regulations is strictly prohibited.
2. LIFE SUPPORT POLICY
Toshiba products described in this document are not authorized for use as critical components in life support systems without the written consent of the appropriate officer of Toshiba America, Inc. Life support systems are either systems intended for surgical implant in the body or systems which sustain life.
A critical component in any component of a life support system whose failure to perform may cause a malfunction of the life support system, or may affect its safety or effectiveness.
3. The information in this document has been carefully checked and is believed to be reliable; however no responsibility can be assumed for inaccuracies that may not have been caught. All information in this data book is subject to change without prior notice. Furthermore, Toshiba cannot assume responsibility for the use of any license under the patent rights of Toshiba or any third parties.

Back to Memory