

TOSHIBA PHOTOCOUPLER GaAs IRED & PHOTO-IC

TLP215, TLP216

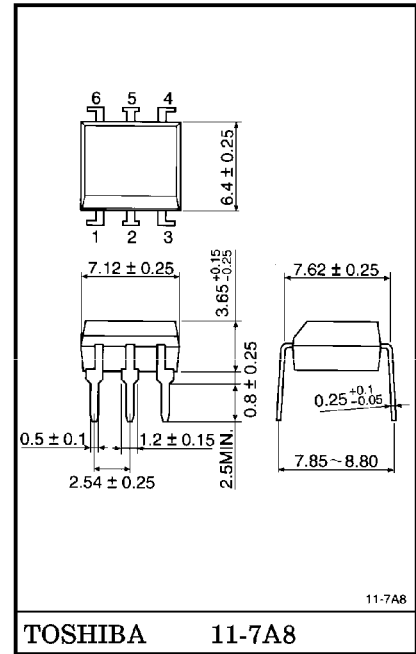
DIGITAL LOGIC INTERFACE
 MICROPROCESSOR SYSTEM INTERFACE
 ISOLATED BUS DRIVER
 LINE RECEIVER
 GROUND LOOP ELIMINATION

Unit in mm

The TOSHIBA TLP215 and TLP216 are logic-in and logic-out type photocouplers. Both types consist of three chips : a GaAs infrared LED, LS TTL level logic IC LED driver, and photo detector which incorporates both a photo diode and TTL level logic I.C.

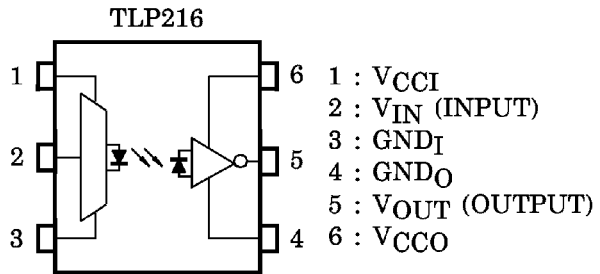
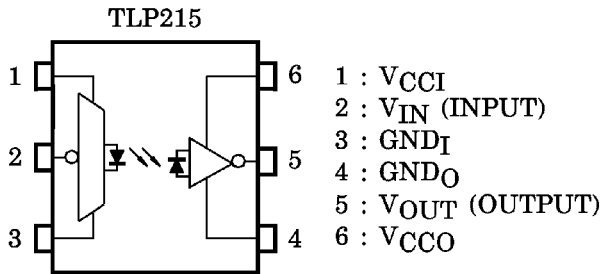
TLP215 : Buffer Logic Type
 TLP216 : Inverter Logic Type

- Supply Voltage : $V_{CC} = 4.5 \sim 5.5V$
- Switching Speed : $t_{pHL}, t_{pLH} = 5\mu s$ (MAX.)
- Guaranteed Performance Over Temperature : $-25 \sim 80^{\circ}C$
- Isolation Voltage : 2500Vrms (MIN.)
- UL Recognized : UL1577, File No. E67349



Weight : 0.42g

PIN CONFIGURATIONS (TOP VIEW)



www.DataSheet.in

961001EBC2

- TOSHIBA is continually working to improve the quality and the reliability of its products. Nevertheless, semiconductor devices in general can malfunction or fail due to their inherent electrical sensitivity and vulnerability to physical stress. It is the responsibility of the buyer, when utilizing TOSHIBA products, to observe standards of safety, and to avoid situations in which a malfunction or failure of a TOSHIBA product could cause loss of human life, bodily injury or damage to property. In developing your designs, please ensure that TOSHIBA products are used within specified operating ranges as set forth in the most recent products specifications. Also, please keep in mind the precautions and conditions set forth in the TOSHIBA Semiconductor Reliability Handbook.
- Gallium arsenide (GaAs) is a substance used in the products described in this document. GaAs dust and fumes are toxic. Do not break, cut or pulverize the product, or use chemicals to dissolve them. When disposing of the products, follow the appropriate regulations. Do not dispose of the products with other industrial waste or with domestic garbage.
- The products described in this document are subject to foreign exchange and foreign trade control laws.
- The information contained herein is presented only as a guide for the applications of our products. No responsibility is assumed by TOSHIBA CORPORATION for any infringements of intellectual property or other rights of the third parties which may result from its use. No license is granted by implication or otherwise under any intellectual property or other rights of TOSHIBA CORPORATION or others.
- The information contained herein is subject to change without notice.

TRUTH TABLE

TLP215

INPUT	OUTPUT
H	H
L	L

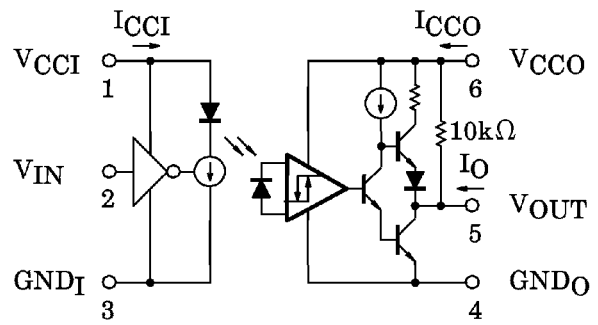
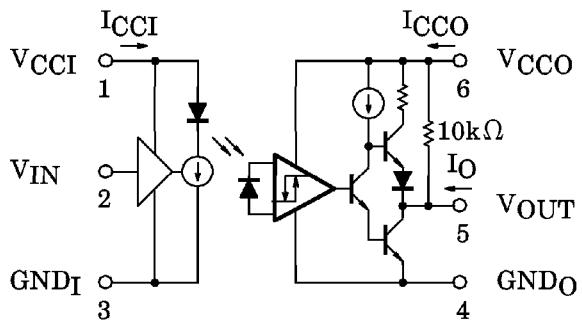
BUFFER LOGIC

TLP216

INPUT	OUTPUT
H	L
L	H

INVERTER LOGIC

SCHEMATIC



A 0.1 μ F bypass capacitor must be connected between pin 1 and 3, and between pin 4 and 6.

MAXIMUM RATINGS (Ta = 25°C)

CHARACTERISTIC		SYMBOL	RATING	UNIT
LED	Supply Voltage (Note 1)	VCCI	-0.5~7	V
	Input Voltage	VIN	-0.5~7	V
DETECTOR	Supply Voltage (Note 1)	VCCO	-0.5~7	V
	Output Voltage	VOU	-0.5~7	V
	Output Current	IOUT	40 / -25	mA
	Output Power Dissipation (Note 2)	PO	100	mW
Operating Temperature Range		Topr	-40~85	°C
Storage Temperature Range		Tstg	-55~125	°C
Solder Temperature (10sec.)**		Tsol	260	°C
Isolation Voltage (AC, 1 min., R.H. ≤ 60%, Ta = 25°C) (Note 3)		BVS	2500	Vrms

(Note 1) Max. 1min.

(Note 2) Derate 1.8mW/°C above 70°C.

(Note 3) Pins 1, 2, 3 and 4 shorted together and pins 5, 6, 7 and 8 shorted together.

** Soldering portion of lead : up to 2mm from the body of the device.

RECOMMENDED OPERATING CONDITIONS

CHARACTERISTIC	SYMBOL	MIN.	TYP.	MAX.	UNIT
Supply Voltage	VCCI, VCCO	4.5	5	5.5	V
Input Voltage High	VIH	2	—	VCC	V
Input Voltage Low	VIL	0	—	0.8	V
Output Current High	IOH	—	—	-400	μA
Output Current Low	IOL	—	—	8	mA
Fan Out (TTL Load)	N	—	—	4	—
Operating Temperature	Topr	-25	—	85	°C

TLP215

ELECTRICAL CHARACTERISTICS (Unless otherwise specified, Ta = -25~85°C, VCCI, VCCO = 5V)

CHARACTERISTIC	SYMBOL	TEST CONDITION	MIN.	TYP.*	MAX.	UNIT
Input Supply Voltage	VCCI	—	4.5	5	5.5	V
Output Supply Voltage	VCCO	—	4.5	5	5.5	V
Low Level Input Voltage	VIL	—	—	—	0.8	V
High Level Input Voltage	VIH	—	2.0	—	—	V
Low Level Output Voltage	VOL	IOL = 8.0mA, VIL = 0.8V VCCO = 4.5V	—	0.3	0.5	V
High Level Output Voltage	VOH	IOH = -400μA, VIH = 2V VCCO = 4.5V	2.7	3.6	—	V
Low Level Input Current	IIL	VCCI = 5.5V, VIL = 0.4V	—	-0.2	-0.4	mA
High Level Input Current	IIH	VCCI = 5.5V, VIH = 2.7V	—	—	20	μA
Input Current at Maximum Input Voltage	II	VCCI = 5.5V, VIH = 6V	—	—	0.4	mA
Input Low Level Supply Current	ICCLI	VCCI = 5.5V, VIL = GND	—	7	10	mA
Input High Level Supply Current	ICCHI	VCCI = 5.5V, VIH = 4.5V	—	4	10	mA
Output Low Level Supply Current	ICCLO	VCCO = 5.5V, VIL = GND	—	4	6.0	mA
Output High Level Supply Current	ICCHO	VCCO = 5.5V, VIH = 4.5V	—	4.5	6.0	mA
Low Level Short Circuit Output Current (Note 4)	IOSL	VCCO = 5.5V, VIL = GND VOUT = 5.5V	25	55	—	mA
High Level Short Circuit Output Current (Note 4)	IOSH	VCCO = 5.5V, VIH = 4.5V VOUT = 0V	-10	-25	—	mA
Resistance (Input-Output)	RS	VS = 500V, R.H. ≤ 60% Ta = 25°C	5 × 10 ¹⁰	10 ¹⁴	—	Ω
Capacitance (Input-Output)	CS	VS = 0, f = 1MHz Ta = 25°C (Note 3)	—	1.0	—	pF

* All typical values at Ta = 25°C

TLP215

SWITCHING CHARACTERISTICS (Unless otherwise specified, $T_a = 25 \sim 85^\circ\text{C}$, $V_{CCI} = V_{CCO} = 5\text{V}$)

CHARACTERISTIC	SYMBOL	TEST CIR-CUIT	TEST CONDITION	MIN.	TYP.*	MAX.	UNIT
Propagation Delay Time (L→H) (Note 5)	t_{pLH}	1	$R_L = 2\text{k}\Omega$, $C_L = 15\text{pF}$	—	0.5	5	μs
Propagation Delay Time (H→L) (Note 5)	t_{pHL}			—	0.5	5	μs
Output Rise Time (10–90%)	t_r		$R_L = 2\text{k}\Omega$, $C_L = 15\text{pF}$ $T_a = 25^\circ\text{C}$	—	35	—	ns
Output Fall Time (10–90%)	t_f			—	20	—	ns
Common Mode Transient Immunity at Logic High Output (Note 6)	C_{MH}	2	$V_{CM} = 50\text{V}$ $V_{OUT}(\text{Min.}) = 2\text{V}$ $T_a = 25^\circ\text{C}$	1000	—	—	$\text{V} / \mu\text{s}$
Common Mode Transient Immunity at Logic Low Output (Note 6)	C_{ML}		$V_{CM} = 50\text{V}$ $V_{OUT}(\text{Max.}) = 0.8\text{V}$ $T_a = 25^\circ\text{C}$	–1000	—	—	$\text{V} / \mu\text{s}$

* All typical values are at $T_a = 25^\circ\text{C}$

TLP216

ELECTRICAL CHARACTERISTICS (Unless otherwise specified, Ta = -25~85°C, VCCI, VCCO = 5V)

CHARACTERISTIC	SYMBOL	TEST CONDITION	MIN.	TYP.*	MAX.	UNIT
Input Supply Voltage	VCCI	—	4.5	5	5.5	V
Output Supply Voltage	VCCO	—	4.5	5	5.5	V
Low Level Input Voltage	VIL	—	—	—	0.8	V
High Level Input Voltage	VIH	—	2.0	—	—	V
Low Level Output Voltage	VOL	IOL = 8.0mA, VIH = 2V VCCO = 4.5V	—	0.3	0.5	V
High Level Output Voltage	VOH	I _{OH} = -400μA VIL = 0.8V, VCCO = 4.5V	2.7	3.6	—	V
Low Level Input Current	IIL	VCCI = 5.5V, VIL = 0.4V	—	-0.2	-0.4	mA
High Level Input Current	I _{IH}	VCCI = 5.5V, VIH = 2.7V	—	—	20	μA
Input Current at Maximum Input Voltage	I _I	VCCI = 5.5V, VIH = 6V	—	—	0.4	mA
Input Low Level Supply Current	ICCLI	VCCI = 5.5V, VIL = GND	—	4	10	mA
Input High Level Supply Current	ICCHI	VCCI = 5.5V, VIH = 4.5V	—	7	10	mA
Output Low Level Supply Current	ICCLO	VCCO = 5.5V, VIH = 4.5V	—	4	6.0	mA
Output High Level Supply Current	ICCHO	VCCO = 5.5V, VIL = GND	—	4.5	6.0	mA
Low Level Short Circuit Output Current (Note 4)	I _{OSL}	VCCO = 5.5V, VIH = 4.5V V _{OUT} = 5.5V	25	55	—	mA
High Level Short Circuit Output Current (Note 4)	I _{OSH}	VCCO = 5.5V, VIL = GND V _{OUT} = 0V	-10	-25	—	mA
Resistance (Input-Output)	R _S	V _S = 500V, R.H. ≤ 60% Ta = 25°C	5 × 10 ¹⁰	10 ¹⁴	—	Ω
Capacitance (Input-Output)	C _S	V _S = 0, f = 1MHz Ta = 25°C (Note 3)	—	1.0	—	pF

* All typical values are at Ta = 25°C

TLP216

SWITCHING CHARACTERISTICS (Unless otherwise specified, $T_a = -25\sim 85^\circ\text{C}$, $V_{CCI} = V_{CCO} = 5\text{V}$)

CHARACTERISTIC	SYMBOL	TEST CIR-CUIT	TEST CONDITION	MIN.	TYP.*	MAX.	UNIT
Propagation Delay Time (L→H) (Note 7)	t_{pLH}	1	$R_L = 2\text{k}\Omega$, $C_L = 15\text{pF}$	—	0.5	5	μs
Propagation Delay Time (H→L) (Note 7)	t_{pHL}			—	0.5	5	μs
Output Rise Time (10–90%)	t_r		$R_L = 2\text{k}\Omega$, $C_L = 15\text{pF}$ $T_a = 25^\circ\text{C}$	—	35	—	ns
Output Fall Time (10–90%)	t_f			—	20	—	ns
Common Mode Transient Immunity at Logic High Output (Note 8)	C_{MH}	2	$V_{CM} = 50\text{V}$ $V_{OUT}(\text{Min.}) = 2\text{V}$ $T_a = 25^\circ\text{C}$	–1000	—	—	$\text{V} / \mu\text{s}$
Common Mode Transient Immunity at Logic Low Output (Note 8)	C_{ML}		$V_{CM} = 50\text{V}$ $V_{OUT}(\text{Max.}) = 0.8\text{V}$ $T_a = 25^\circ\text{C}$	1000	—	—	$\text{V} / \mu\text{s}$

* All typical values are at $T_a = 25^\circ\text{C}$

(Note 4) Duration of output short circuit time should not exceed 10ms

(Note 5) The t_{pLH} propagation delay is measured from the point on the trailing edge of the input pulse to the 1.3V point on the leading edge of the output pulse.
The t_{pHL} propagation delay is measured from the point on the leading edge of the input pulse to the 1.3V point on the trailing edge of the output pulse.

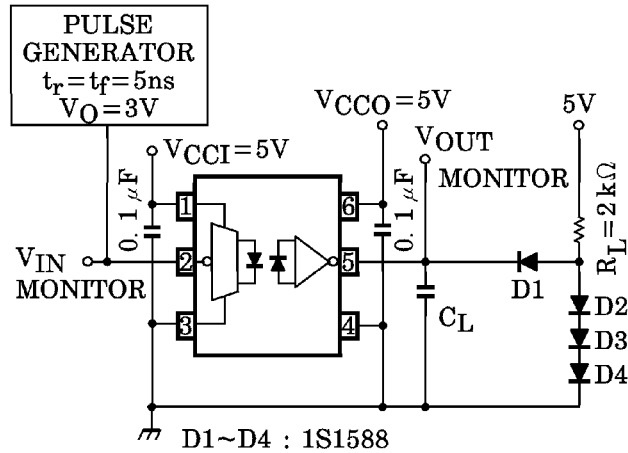
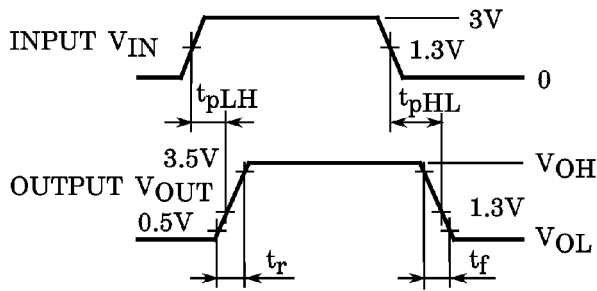
(Note 6) C_{ML} is the maximum rate of rise of the common mode voltage that can be sustained with the output voltage in the logic low state ($V_{OUT} < 0.8\text{V}$).
 C_{MH} is the maximum rate of fall of the common mode voltage that can be sustained with the output voltage in the logic low state ($V_{OUT} > 2.0\text{V}$).

(Note 7) The t_{pLH} propagation delay is measured from the point on the trailing edge of the input pulse to the 1.3V point on the leading edge of the output pulse.
The t_{pHL} propagation delay is measured from the point on the leading edge of the input pulse to the 1.3V point on the trailing edge of the output pulse.

(Note 8) C_{ML} is the maximum rate of rise of the common mode voltage that can be sustained with the output voltage in the logic low state ($V_{OUT} < 0.8\text{V}$).
 C_{MH} is the maximum rate of fall of the common mode voltage that can be sustained with the output voltage in the logic low state ($V_{OUT} > 2.0\text{V}$).

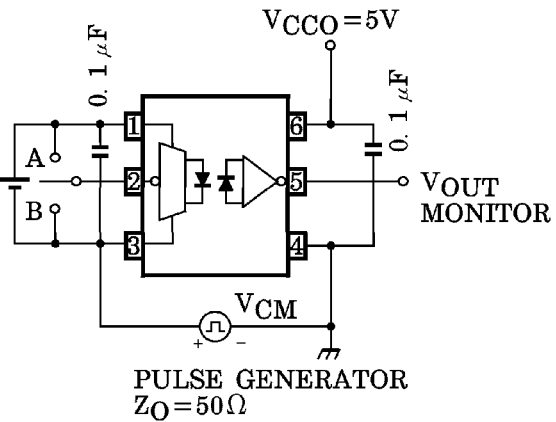
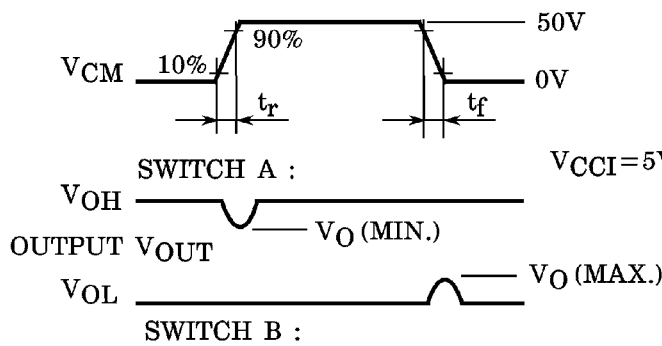
(Note 9) A ceramic capacitor ($0.1\mu\text{F}$) should be connected from pin 1 to pin 3, and from pin 4 to pin 6 (V_{CC} -GND) to stabilize the operation of the high gain linear amplifier. Failure to provide the switching property. The total lead length between capacitor and coupler should not exceed 1cm.

TEST CIRCUIT 1 : t_{pLH} , t_{pHL} , t_r and t_f (TLP215)



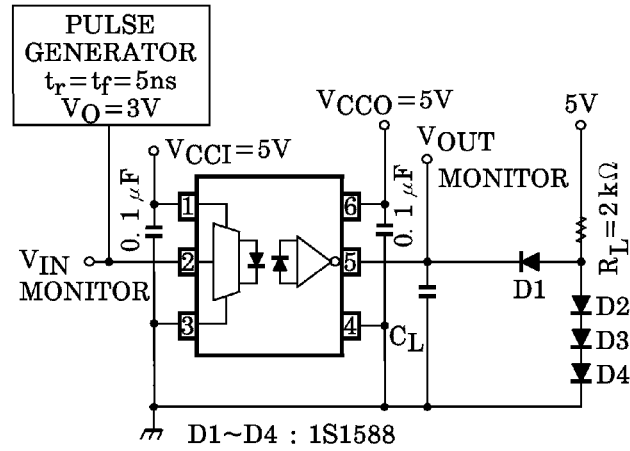
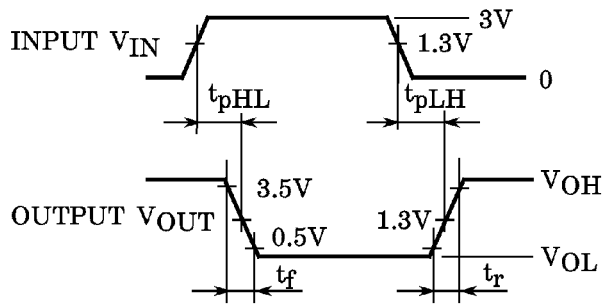
C_L is approximately 15pF which includes probe and stray wiring capacitance.

TEST CIRCUIT 2 : Common Mode Transient Immunity (TLP215)



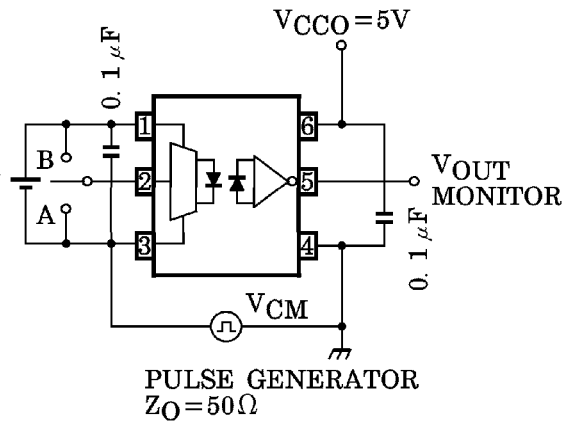
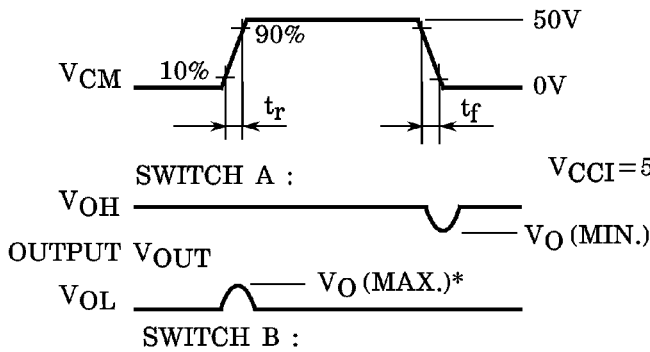
$$CM_H = \frac{45(V)}{t_r(\mu s)}, \quad CM_L = \frac{45(V)}{t_f(\mu s)}$$

TEST CIRCUIT 3 : t_{pLH} , t_{pHL} , t_r and t_f (TLP216)



C_L is approximately 15pF which includes probe and stray wiring capacitance.

TEST CIRCUIT 4 : Common Mode Transient Immunity (TLP216)



$$CM_H = \frac{45(V)}{t_f(\mu s)}, \quad CM_L = \frac{45(V)}{t_r(\mu s)}$$