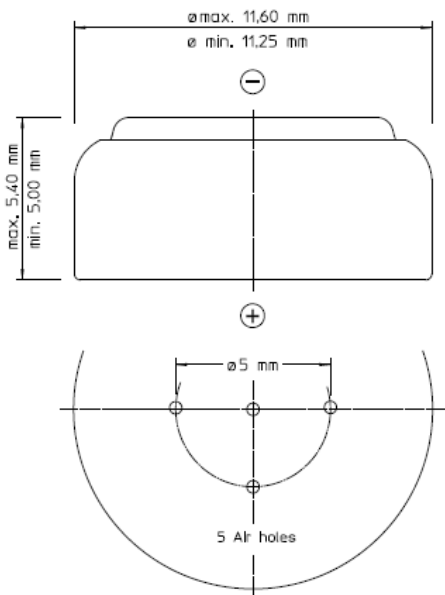


Data sheet 675 – Implant Plus



Specifications:

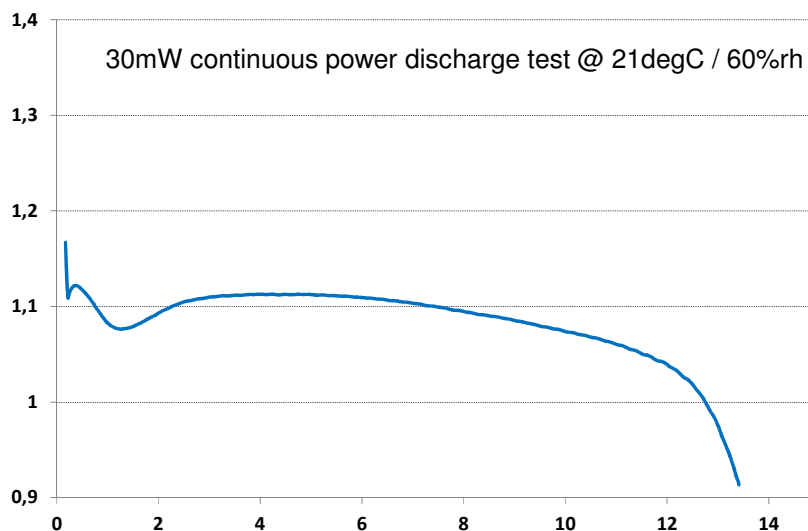
Chemical system:	Zinc / Air
Type number:	46002
Nominal voltage:	1,42 V
Rated Capacity*:	570 mAh
Rated Energy*:	620 mWh
Impedance:	4 Ω @ 1kHz
Weight:	approx 1,80 g
Volume:	approx 0,55 ccm
Storage:	10 - 30° C / 20 - 80 % r.h.
Operating:	0 - 45° C / 25 - 70 % r.h.
Short exposition:	-10 - +65° C / 5 - 95 % r.h.

*Specified for Implant devices
 according to IEC 60086-2 Feb. 2011 (12th Edition)

Dimensions:

According IEC 60086-2 Feb. 2011 (12th Edition)
 IEC: PR44

Typical discharge characteristic @ 21degC / 60% r.h.:



VARTA Microbattery GmbH
 Daimlerstraße 1
 D 73479 Ellwangen
 Tel.: +49 7961 921 0
 www.varta-microbattery.com

This data is subject to change without prior notice. Performance information is typical. Contact VARTA for latest information. July 2012