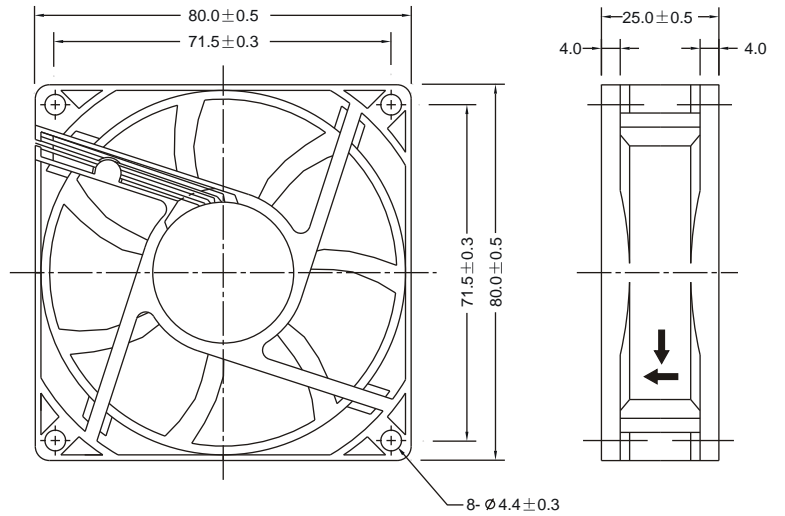


# 80x80x25mm (H Housing ,High Air Flow)



Listed Model	Bearing System	Housing Type	Rated Voltage	Startup Voltage	Rated Current	Speed	Air Flow	Air Flow	Static Pressure	Noise Level	Motor Protection					Weight Gram	Packing	
			VDC	VDC	A	RPM	CFM	CMM	mmH <sub>2</sub> O	dBA	Resistance Protected	Auto Start	Thermal Speed Control	Alarm Output	Tachometer Output		Qty./Ctn Purchase	G.W./Ctn Kgs
RDH8025S1	Sleeve	H	12	6.0	0.23	3000	41.00	1.161	3.32	29.77	•	•	•	•	•	76	100	9.0
RDM8025S1				6.0	0.16	2500	33.42	0.946	2.29	25.10	•	•	•	•	•			
RDL8025S1				6.0	0.13	2000	26.57	0.752	1.54	21.21	•	•	•	•	•			
RDH8025B1	Ball			6.0	0.23	3000	41.00	1.161	3.32	29.77	•	•	•	•	•			
RDM8025B1				6.0	0.16	2500	33.42	0.946	2.29	25.10	•	•	•	•	•			
RDL8025B1				6.0	0.13	2000	26.57	0.752	1.54	21.21	•	•	•	•	•			
RDH8025S2	Sleeve	H	24	12.0	0.15	3000	41.00	1.161	3.32	29.77	•	•	•	•	•	76	100	9.0
RDM8025S2				12.0	0.12	2500	33.42	0.946	2.29	25.10	•	•	•	•	•			
RDL8025S2				12.0	0.09	2000	26.57	0.752	1.54	21.21	•	•	•	•	•			
RDH8025B2	Ball			12.0	0.15	3000	41.00	1.161	3.32	29.77	•	•	•	•	•			
RDM8025B2				12.0	0.12	2500	33.42	0.946	2.29	25.10	•	•	•	•	•			
RDL8025B2				12.0	0.09	2000	26.57	0.752	1.54	21.21	•	•	•	•	•			

## SAFETY APPROVALS ( 安規認證 )

	CE	UL	CUL	TUV	CSA	VDE
12V	•	•	•	•	•	
24V	•	•	•	•		•

