

XINRUILIAN SCIENCE & TECHNOLOGY (SZ) CO., LTD.

Engineering Department

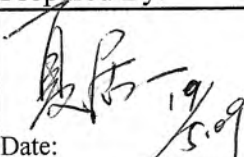
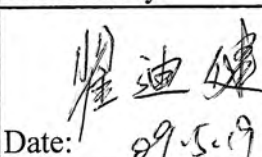
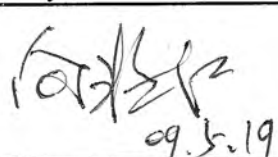
DATA SHEET - BRUSHLESS COOLING FAN

No:	XRL095054
Date:	19-May-09
Revised:	NA 0

For Customer:	E121	Reference/Customer P/N	NA
Part No.		Model No.	RDL8025B
Samples Attached	NA Pcs.	Samples From	Engineering
Safety Approvals	UL/CUL ,TUV,CE		

SPECIFICATION

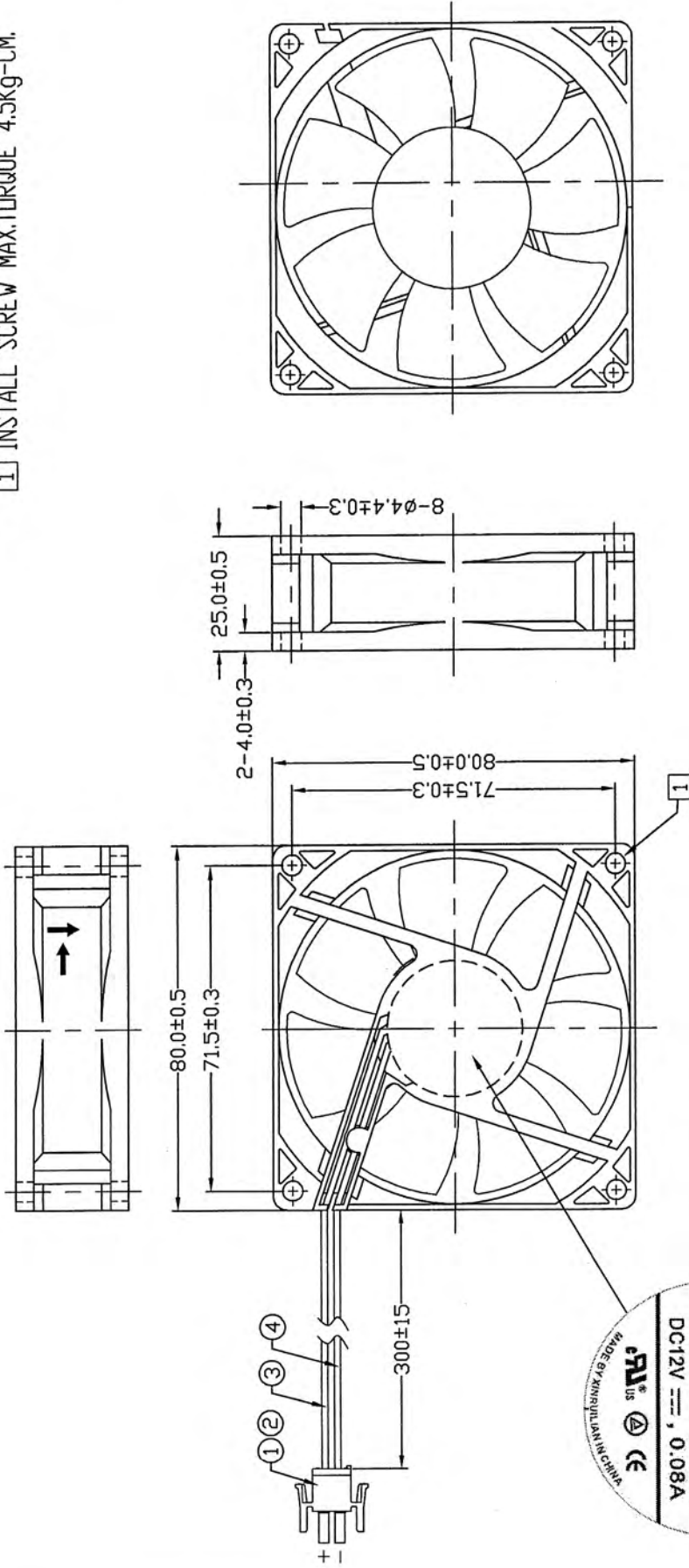
<u>Item</u>	<u>Unit</u>	<u>Specification</u>	<u>Condition</u>
Dimension	mm	80x80x25	L x W x Thickness
Bearing System	---	Dual Ball Bearing	NMB or ISC
Rated Voltage	VDC	12.0	-----
Operating Voltage Range	VDC	6.0-13.8	-----
Start-up Voltage	VDC	6.0	Nominal
Rated Current	Amp	0.08(Max.0.096)	At rated Voltage
Lock Rotor Current	Amp	0.20	Max. at Rotor Locked
Rated Power	Watt	0.96	At rated Voltage
Rated Speed	RPM	2000±10%	At rated Voltage
Air Flow	CFM (CMM)	23.77(0.67) Min.21.29	In Free Air
Static Air Pressure	mmAq (Inch H2O)	1.75(0.07) Min.1.49	When Air Flow = 0
Noise Level	dBA	24 Max.27	At Rated Speed
Motor Protection	---	Reversed Polarity	-----
Other Features	Tachometer Output	No	Not Applicable
	Autostart	No	Not Applicable
	Lock Rotor Alarm	No	Not Applicable
	Thermal Control	No	Not Applicable
	PWM Control	No	Not Applicable
	IP Grade	IP21	-----
	Environmental	RoHS Compliant	-----
Connection Lead Type	Lead Wire	24AWGx300mm	See P.2 for Details
	Connector	AMP:1703061-1	See P.2 for Details
	Build-in LED	No	NA
Life Expectancy	Hours	50000	At Room Temperature
Net Weight	Gram	76	-----
Packing	Pieces / Carton	100	-----

Prepared By:	Checked By:	Approved By:	Page No:
 Date: 09.5.09	 Date: 09.5.09	 Date: 09.5.09	1

10 9 8 7 6 5 4 3 2 1

NOTE:

① INSTALL SCREW MAX.TORQUE 4.5Kg-CM.



DATE CODE
 X X X X
 YEAR MONTH DATE



④	LEAD WIRE	1	UL1007 24AWG,BLACK	CONNECT TO GND
③	LEAD WIRE	1	UL1007 24AWG,RED	CONNECT TO VCC
②	CONN. TERMINAL	2	AMP:350706-1	ORIGINAL
①	CONN. HOUSING	1	AMP:170361-1	ORIGINAL
ND.	PART NAME	Q'TY	SPECIFICATION	REMARK

MARK	CHANGES	BY/DATE	APPD/DATE
XINRUI FAN	XINRUI FAN SCIENCE & TECHNOLOGY (SHENZHEN) CO., LTD 欣瑞连科技 (深圳) 有限公司		
PART NAME	DC FAN	MODEL NO.	RDL8025B
APPD/DATE	09.05.19	CHECK/DATE	09.05.19
		PART NO.	
		DRAWING/DATE	
		PROJECTION:	UNIT MM
		TOLERANCES:	PAGE 1/1
		LINEAR X .XX ANGULAR X .405°	
		(0,500) ±0,10 ±0,05 X ±0,10	
		(50,100) ±0,20 ±0,10 XX ±0,1	
		(100,+∞) ±0,30 ±0,15	
			REV 0
			Spec. No. XRL095054



Spec.No.XRL095054

Revision Record

Rev	Changes	Check/Date	Appd/Date
0	首次制作	崔迪健 09.5.19	[Signature] 09.5.19