

CRYSTAL UNIT

YSX321SL



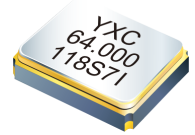
Applications

- SmartWearable
IOT Communication.

Features

- Dimensions: 3.20 x 2.50 x 0.70 mm.
- Standard Frequency: 8 to 64MHz

- High precision and high frequency stability.
- Extremely good for reducing EMI effect.



Specifications

| | |
|--|----------------------------------|
| Standard Frequency | 8 to 64 MHz |
| Vibration Mode | AT Fundamental |
| Load Capacitance | 10pF, 20pF, or specify |
| Frequency Tolerance (at 25 °C) | ±10ppm, ±20ppm, or specify |
| Frequency Versus Temperature Characteristics | ±20ppm, or specify |
| Operating Temperature | -20~+70°C, -40~+85°C, or specify |
| Storage Temperature | -55~+125°C or specify |
| Shunt Capacitance | 7 pF Max. |
| Level of Drive | 1~200µWMax. (100uW typical) |
| Aging (at 25 °C) | ±3ppm/year Max. |

Equivalent Series Resistance(ESR)

| Fundamental | |
|----------------|------------|
| 8 ~ 11.2892MHz | 150 Ω Max. |
| 12 ~ 16 MHz | 80 Ω Max. |
| 17 ~ 64 MHz | 50 Ω Max. |

Dimensions and Patterns [unit:mm]

Package Size – Dimensions (Unit: mm)

The technical drawings show the following dimensions and features:

- Top View:** Overall dimensions are 3.20±0.1 mm by 2.50±0.1 mm. The package has four pins labeled 1, 2, 3, and 4. A "Marking" area is indicated in the center.
- Side View:** The package height is 0.7±0.1 mm.
- Bottom View:** Shows the internal layout of the pins and a central dimension of 1.2 mm.
- Top View Crystal Connection:** Shows the electrical connections to the crystal, with pins 1 and 2 connected to GND.
- Top View Suggested Layout:** Shows the recommended pad layout for the crystal connections with dimensions: 1.4 mm, 0.8 mm, 1.4 mm, 1.2 mm, 0.5 mm, and 1.2 mm.

Units: mm

CRYSTAL UNIT

YSX321SL



Reflow Soldering Profile

Pre Heating Temperature

 Tp1 ~ Tp2 = + 170 °C

Heating Temperature

 TMlt = + 220 °C

Peek Temperature

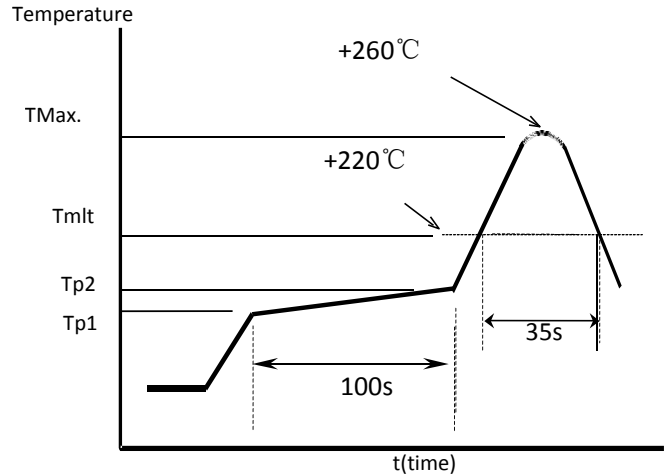
 TMax. = + 260 °C

Point of measuring

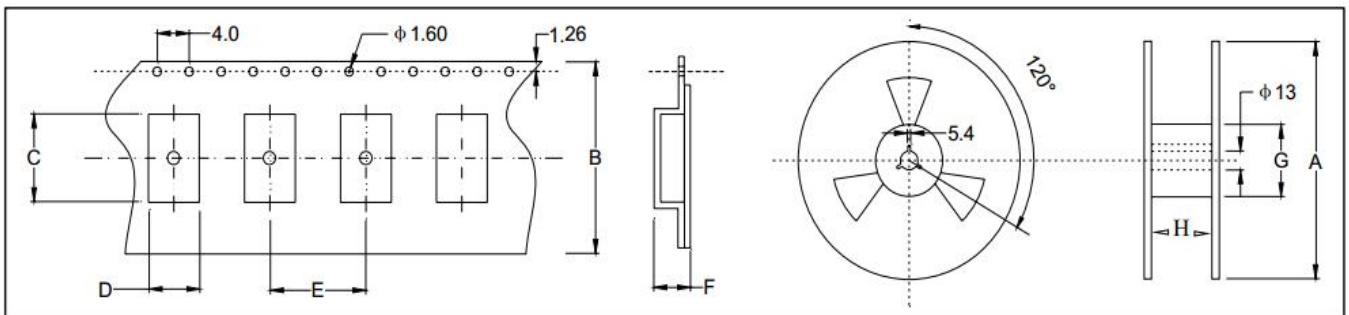
 In case of Solder ability

Terminal.

 In case of Resistance to soldering heat
 Surface.



Taping Specification(Unit: mm)



| Size | A | B | C | D | E | F | G | H |
|----------|---------|---------|----------|----------|---------|----------|----------|---------|
| SMD-3225 | 180±2.0 | 8.0±0.3 | 3.50±0.1 | 2.50±0.1 | 4.0±0.1 | 1.40±0.1 | 61.0±1.0 | 8.0±1.0 |

3000 pcs per reel