

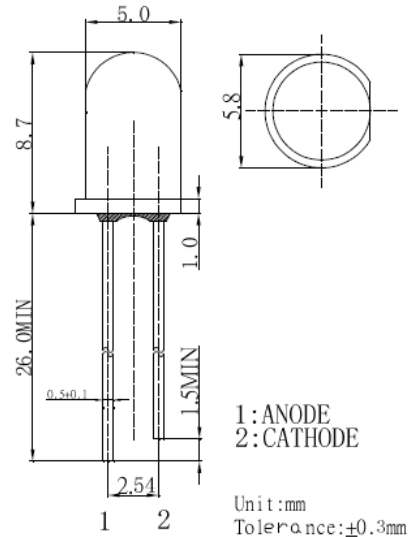
### ■Features

- High Luminous LEDs
- 5mm Standard Directivity
- Superior Weather-resistance
- UV Resistant Epoxy

### ■Applications

- Traffic Signal
- Backlighting
- Signal And Channel Letter
- Other Lighting

### ■Outline Dimension



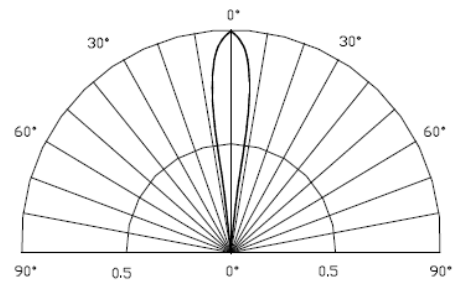
### ■Absolute Maximum Rating

(Ta=25°C)

| Item                       | Symbol    | Value        | Unit |
|----------------------------|-----------|--------------|------|
| DC Forward Current         | $I_F$     | 50           | mA   |
| Pulse Forward Current*     | $I_{FP}$  | 120          | mA   |
| Reverse Voltage            | $V_R$     | 5            | V    |
| Power Dissipation          | $P_D$     | 130          | mW   |
| Operating Temperature      | $T_{opr}$ | -30 ~ +85    | °C   |
| Storage Temperature        | $T_{stg}$ | -40 ~ +100   | °C   |
| Lead Soldering Temperature | $T_{sol}$ | 260°C / 5sec | -    |

\*Pulse width Max.10ms Duty ratio max 1/10

### ■Directivity



### ■Electrical -Optical Characteristics

(Ta=25°C)

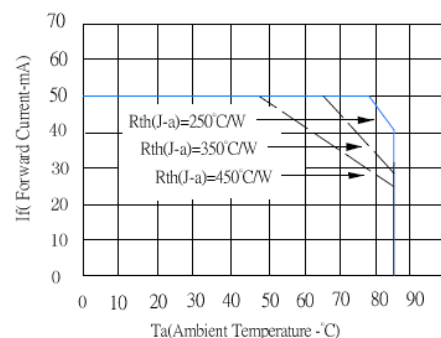
| Item               | Symbol          | Condition  | Min.  | Typ.  | Max.  | Unit |
|--------------------|-----------------|------------|-------|-------|-------|------|
| DC Forward Voltage | $V_F$           | $I_F=20mA$ | 1.8   | 2.2   | 2.6   | V    |
| DC Reverse Current | $I_R$           | $V_R=5V$   | -     | -     | 10    | μA   |
| Domi. Wavelength   | $\lambda_D$     | $I_F=20mA$ | 620   | 625   | 630   | nm   |
| Luminous Intensity | $I_v$           | $I_F=20mA$ | 22000 | 25000 | 30000 | mcd  |
| 50% Power Angle    | $2\theta_{1/2}$ | $I_F=20mA$ | -     | 15    | -     | deg  |

\*1 Tolerance of dominant wavelength is ±1nm

\*2 Tolerance of luminous intensity is ±15%

### ■Maximum Forward Current

Maximum Permissible Forward Current  $T_j=115^\circ\text{C}$

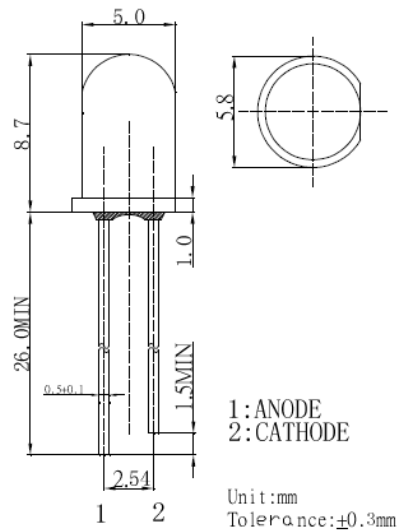


**■Features**

- High Luminous LEDs
- 5mm Standard Directivity
- Superior Weather-resistance
- UV Resistant Epoxy

**■Applications**

- Traffic Signal
- Backlighting
- Signal And Channel Letter
- Other Lighting

**■Outline Dimension**

**■Absolute Maximum Rating**

(Ta=25°C)

| Item                       | Symbol    | Value        | Unit |
|----------------------------|-----------|--------------|------|
| DC Forward Current         | $I_F$     | 50           | mA   |
| Pulse Forward Current*     | $I_{FP}$  | 120          | mA   |
| Reverse Voltage            | $V_R$     | 5            | V    |
| Power Dissipation          | $P_D$     | 130          | mW   |
| Operating Temperature      | $T_{opr}$ | -30 ~ +85    | °C   |
| Storage Temperature        | $T_{stg}$ | -40 ~ +100   | °C   |
| Lead Soldering Temperature | $T_{sol}$ | 260°C / 5sec | -    |

\*Pulse width Max.10ms Duty ratio max 1/10

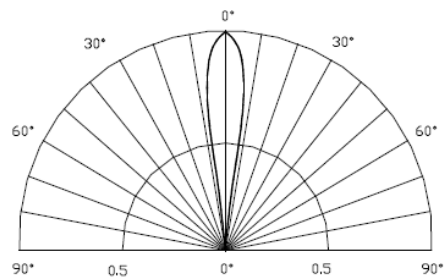
**■Electrical -Optical Characteristics**

(Ta=25°C)

| Item               | Symbol          | Condition  | Min.  | Typ.  | Max.  | Unit |
|--------------------|-----------------|------------|-------|-------|-------|------|
| DC Forward Voltage | $V_F$           | $I_F=20mA$ | 1.8   | 2.2   | 2.6   | V    |
| DC Reverse Current | $I_R$           | $V_R=5V$   | -     | -     | 10    | μA   |
| Domi. Wavelength   | $\lambda_D$     | $I_F=20mA$ | 585   | 590   | 595   | nm   |
| Luminous Intensity | $I_v$           | $I_F=20mA$ | 22000 | 25000 | 30000 | mcd  |
| 50% Power Angle    | $2\theta_{1/2}$ | $I_F=20mA$ | -     | 15    | -     | deg  |

\*1 Tolerance of dominant wavelength is ±1nm

\*2 Tolerance of luminous intensity is ±15%

**■Directivity**

**■Maximum Forward Current**

 Maximum Permissible Forward Current  $T_J=115^\circ\text{C}$ 
